

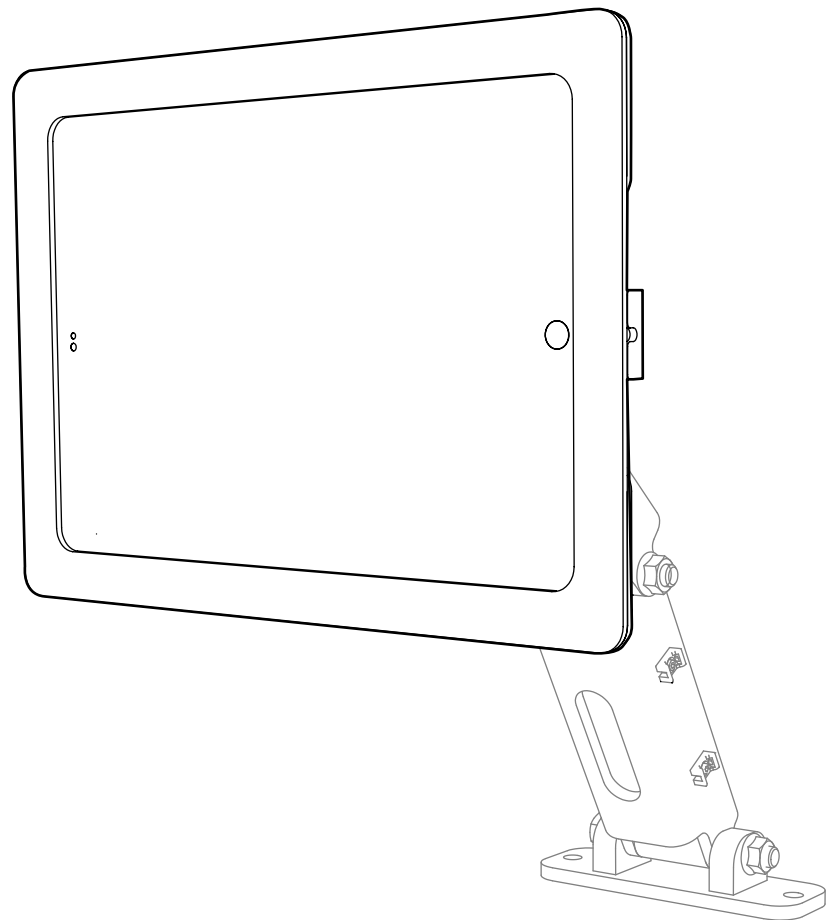
WindFall®



VESA MOUNT

for iPad 10.2-inch 7th Generation

Assembly & Installation



Compatible with:

iPad 10.2-inch 7th Generation

Limited Warranty

Heckler Design warrants your product to be free from defect in material and workmanship for a period of two years from the original date of purchase. Electronic components are warranted to be free from defect for a period of one year from the original date of purchase. If you discover a defect, please contact service@hecklerdesign.com. Heckler Design will repair, at our discretion, using new or refurbished components. If repair is not possible, Heckler Design will replace the item.

1:1

1x



F628

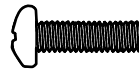


Assembly Tool

4x



F365



Screws

1:1

1x



F646



Security Assembly Tool



Keep your special assembly tool in a safe place. To purchase a replacement, please contact service@hecklerdesign.com.

4x

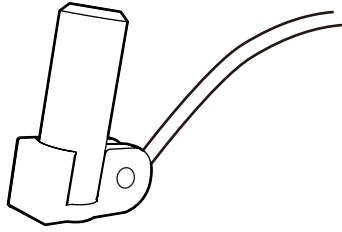


F645

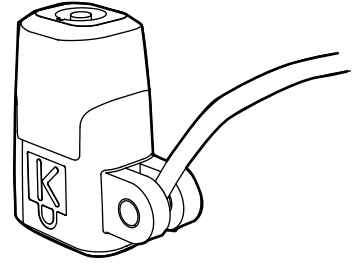


Security Screws

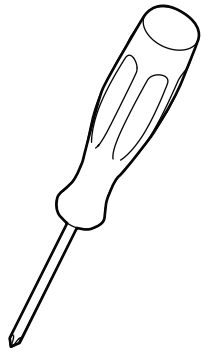
Optional:
Kensington NanoSaver
Keyed Laptop Lock
(sold separately)



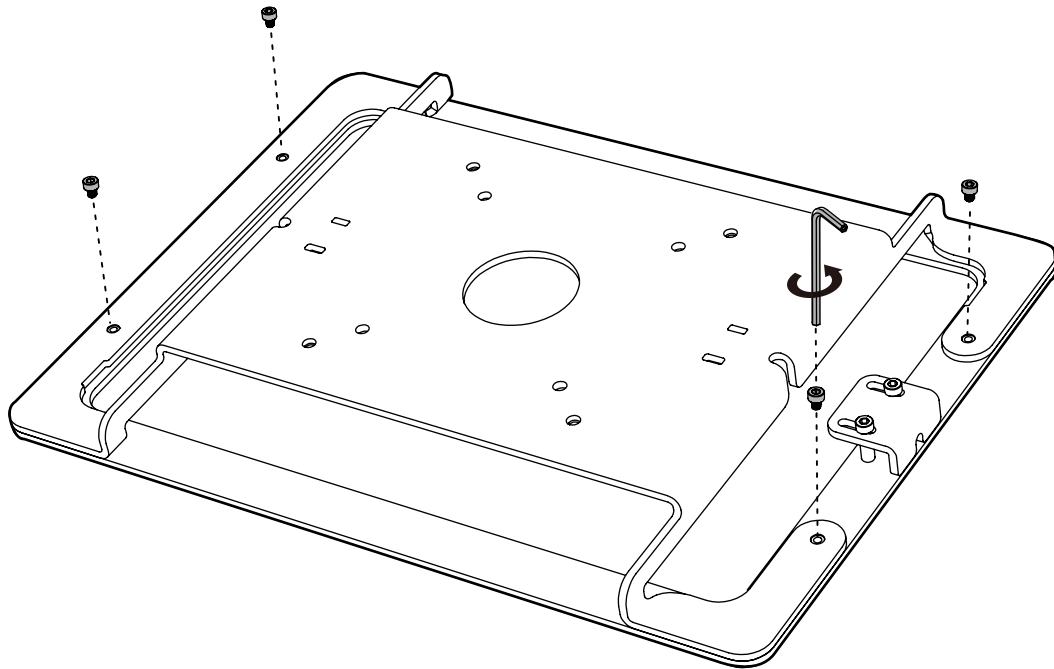
Optional:
Kensington ClickSafe Cable Lock
(sold separately)



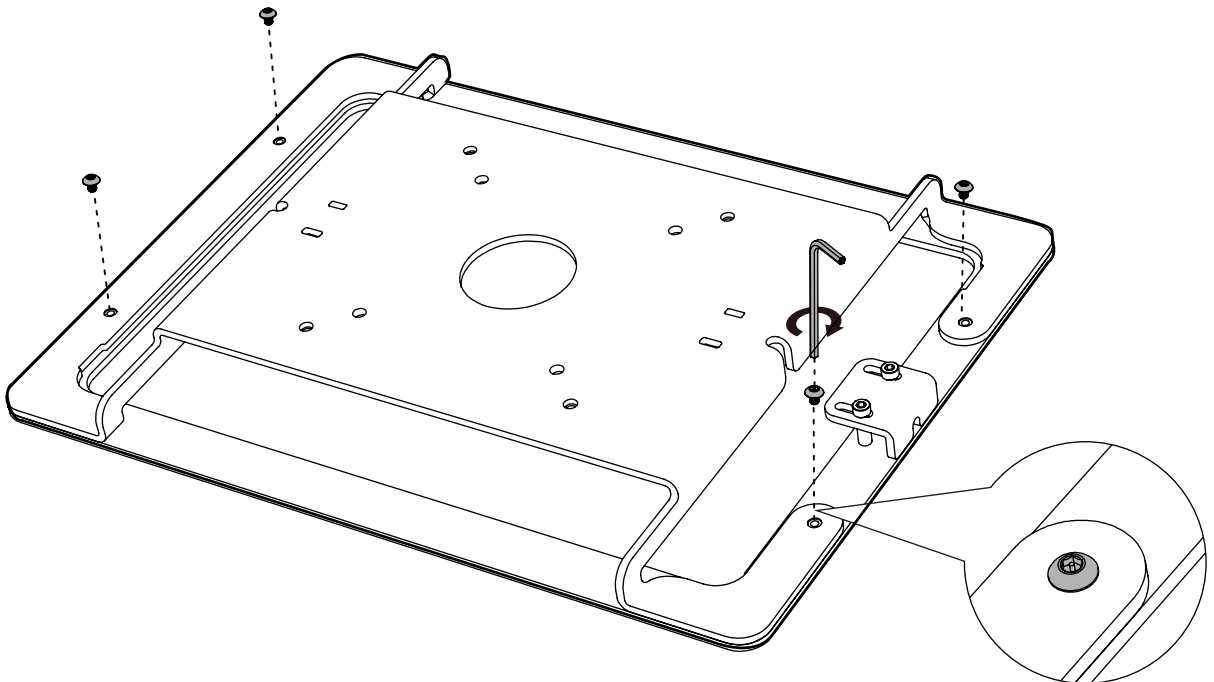
Optional:
Phillips head
screwdriver
(not included)



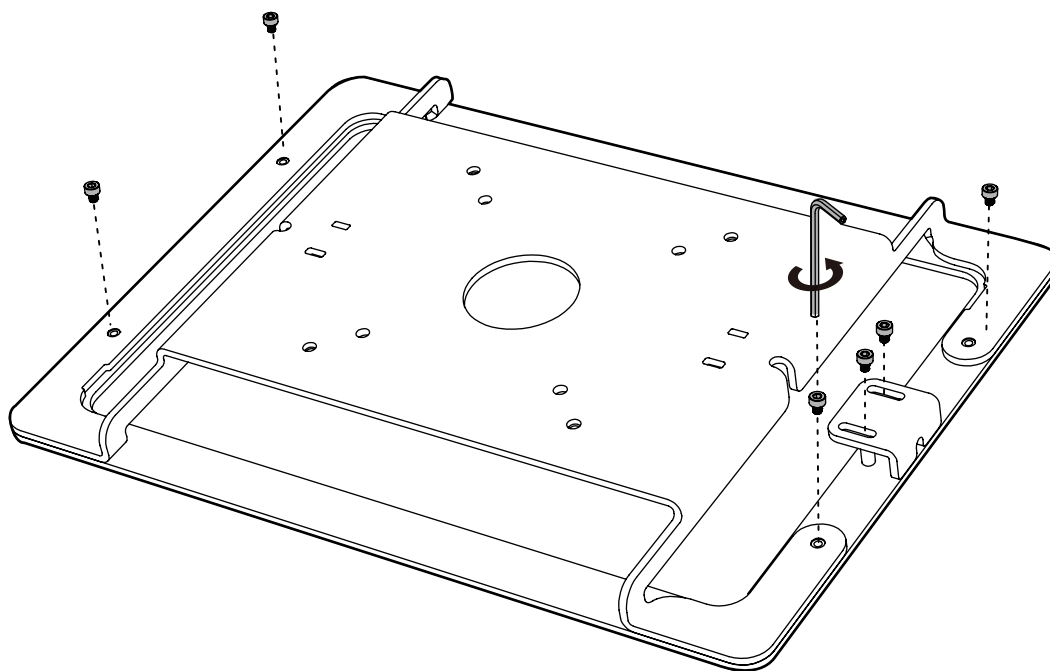
Option: Remove original screws



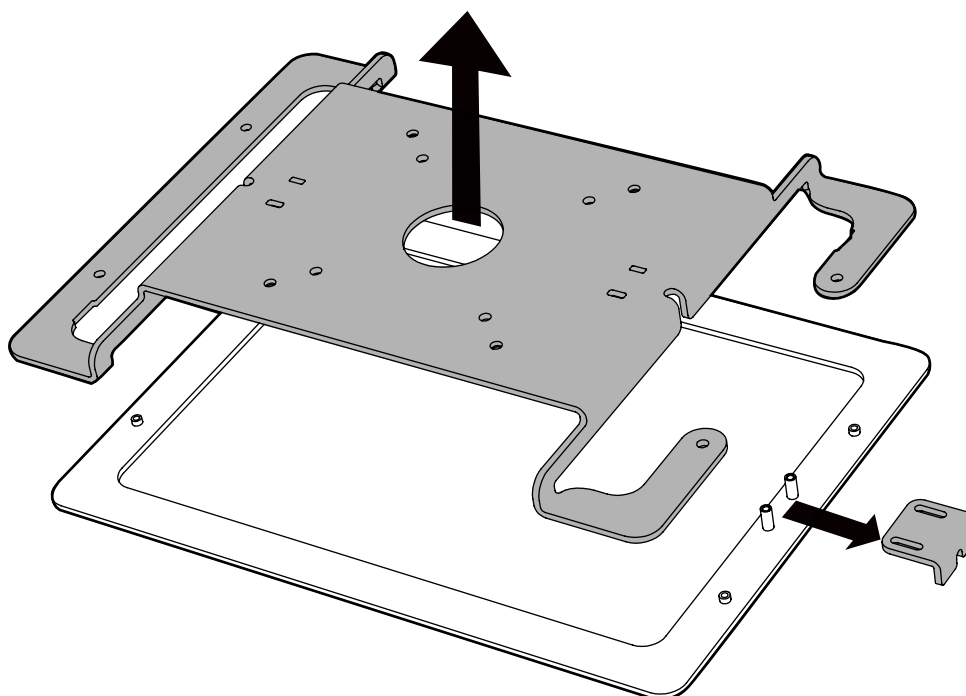
Install security screws



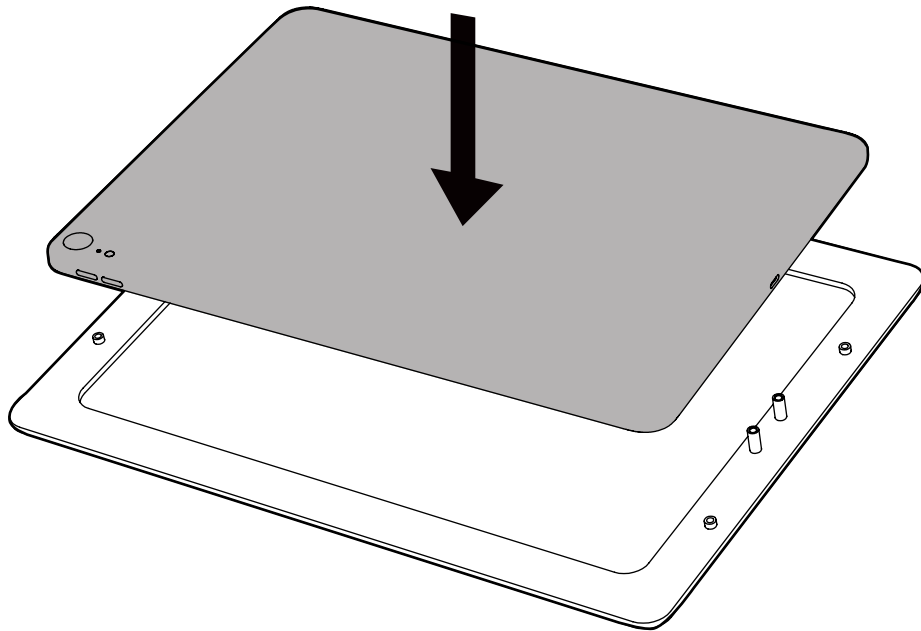
1 Remove screws



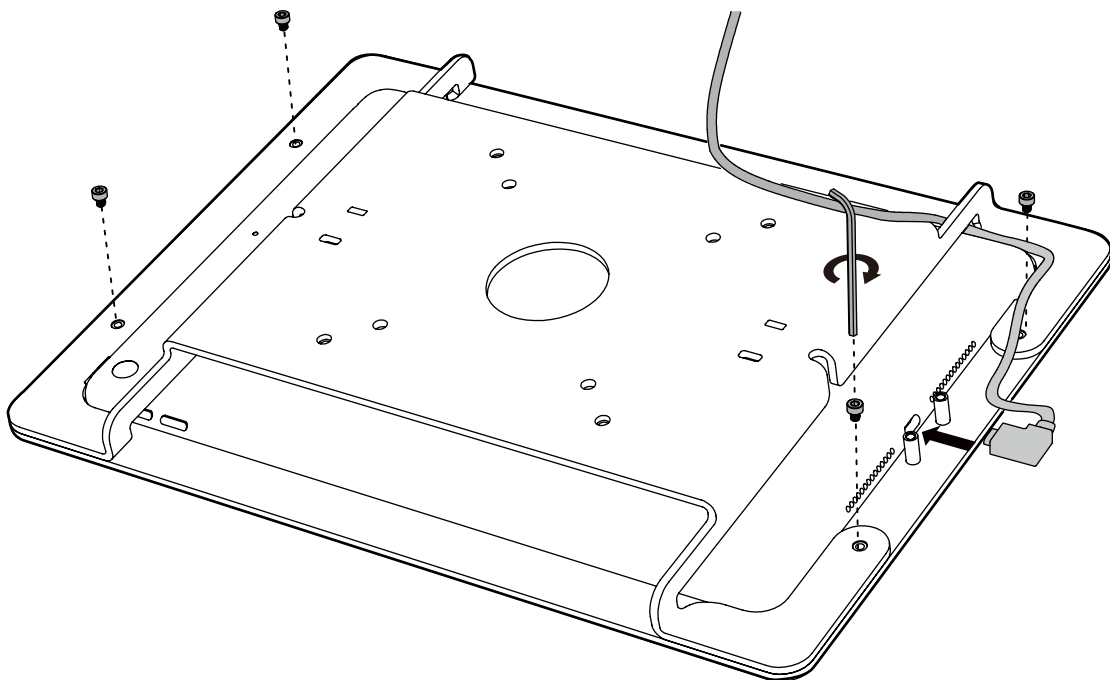
2 Remove tablet back plate and cord securer



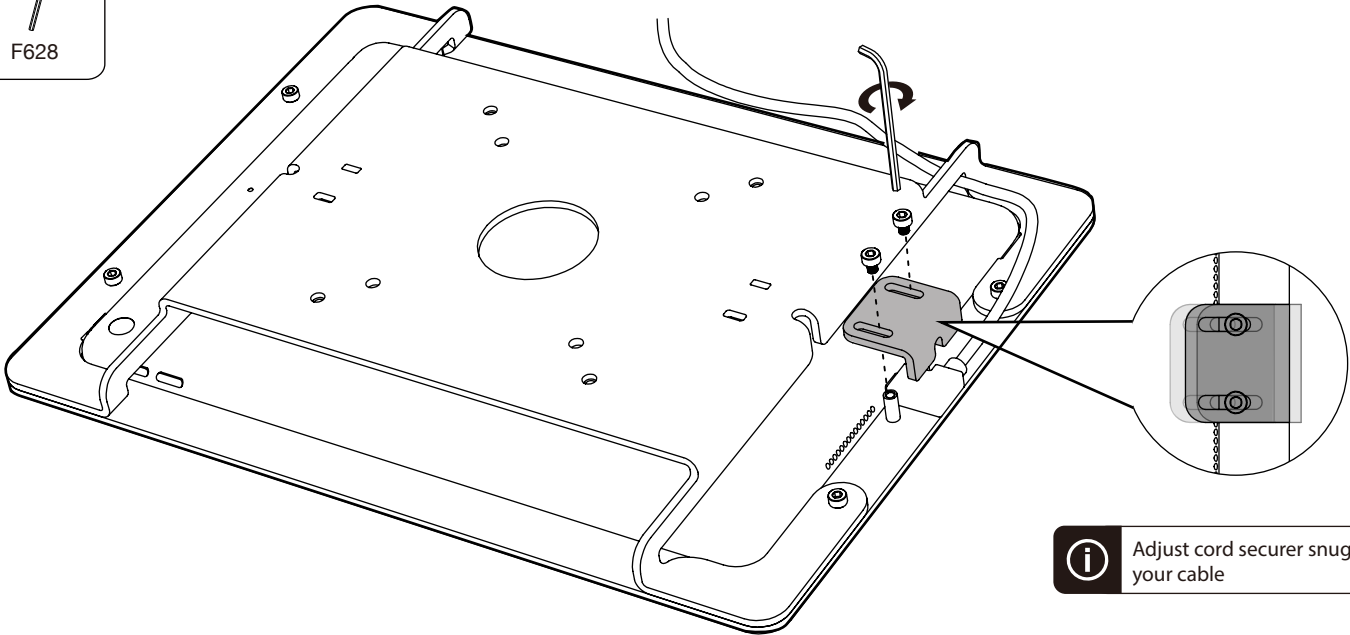
3 Install iPad



4 Route your USB-C cable and reinstall tablet back plate

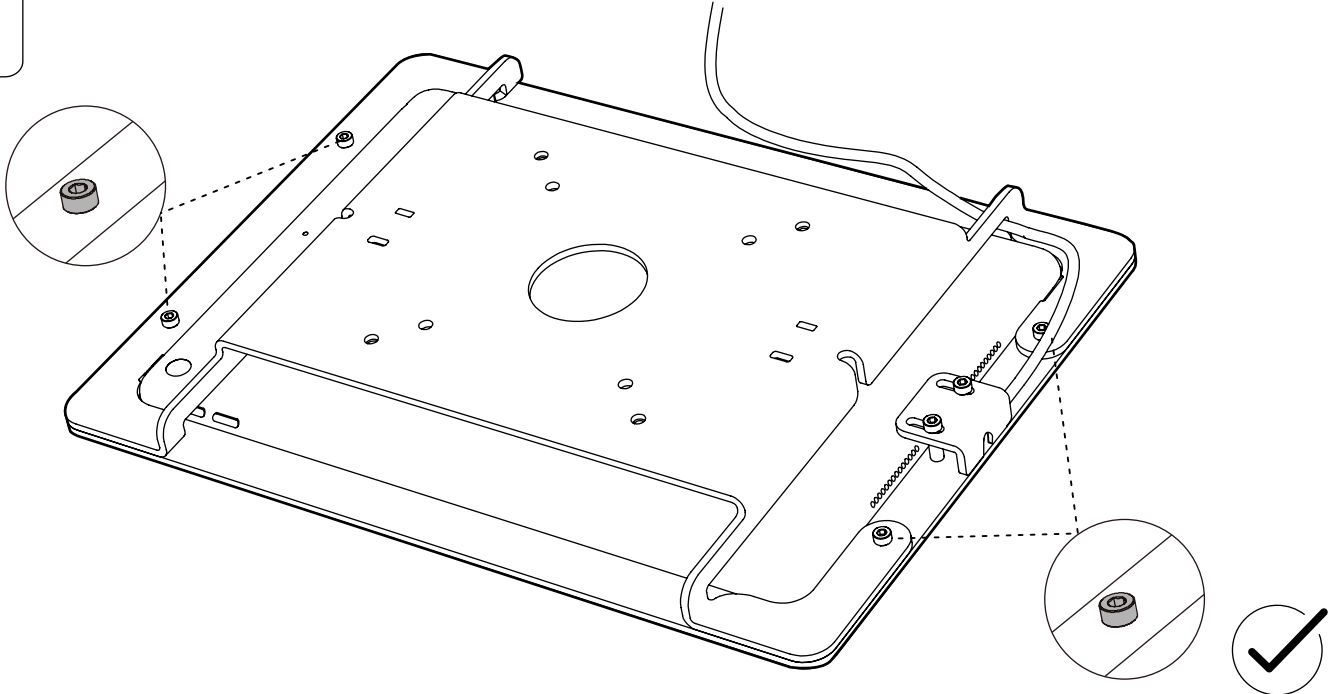


5 Fasten cord securer

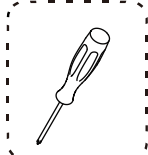


i Adjust cord securer snug to your cable

6 Tighten all screws

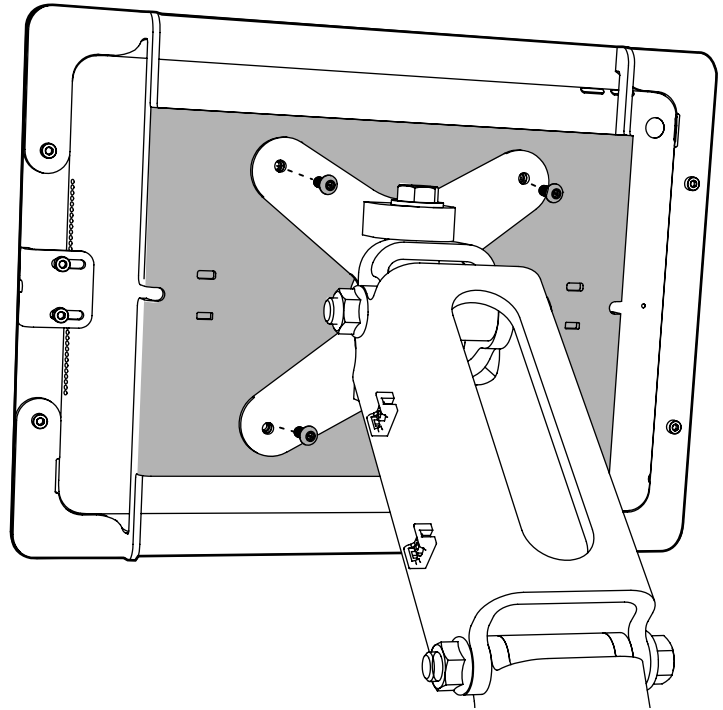


7 VESA arm mounting

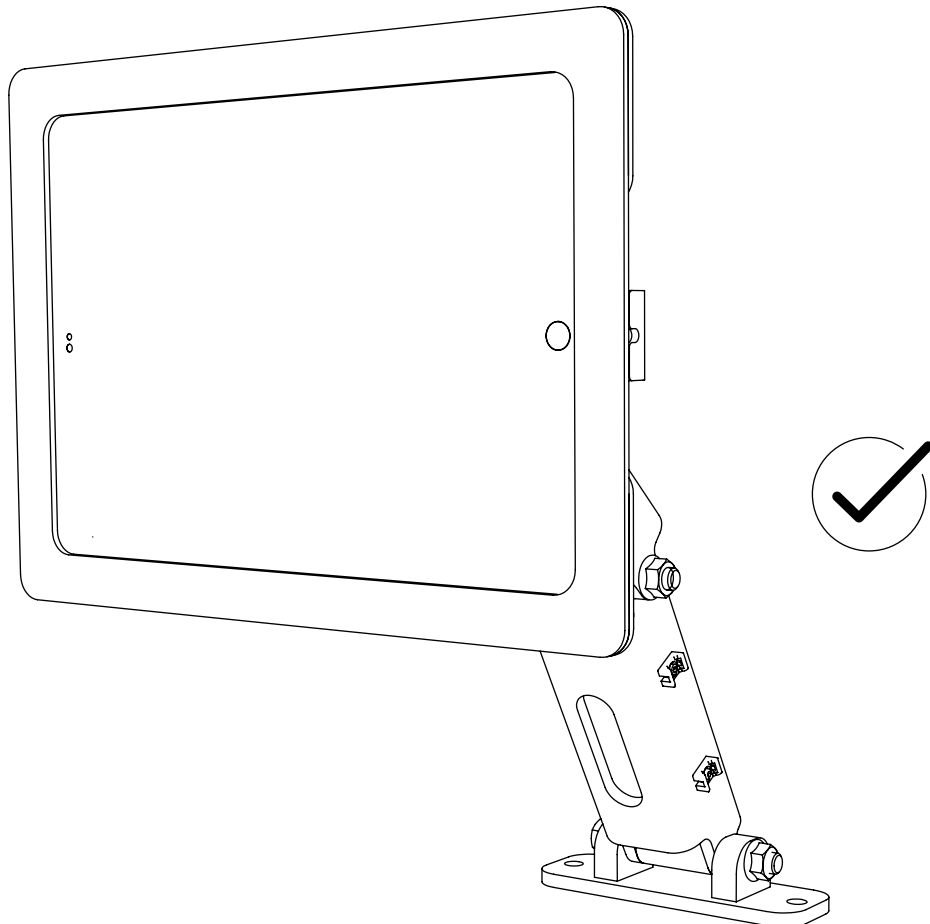


(Not included)

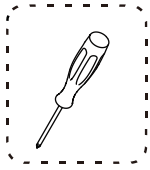
i Ergotron VESA arm not included



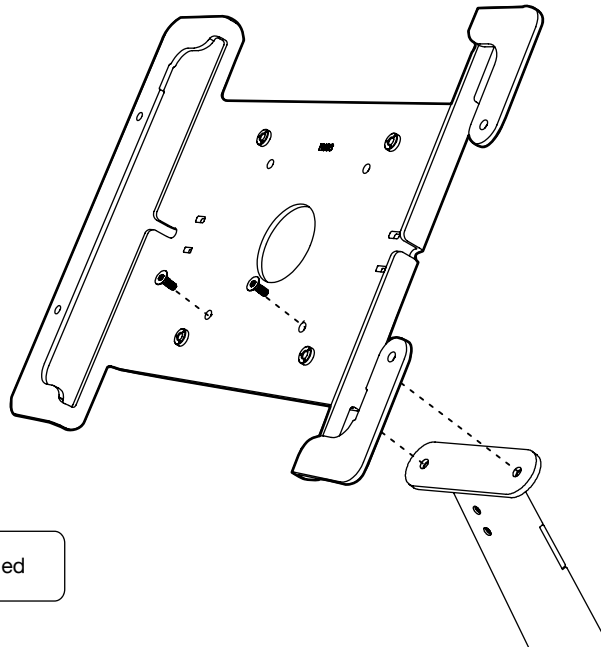
8 Done



Kiosk Floor Stand mounting

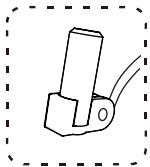


(Not included)

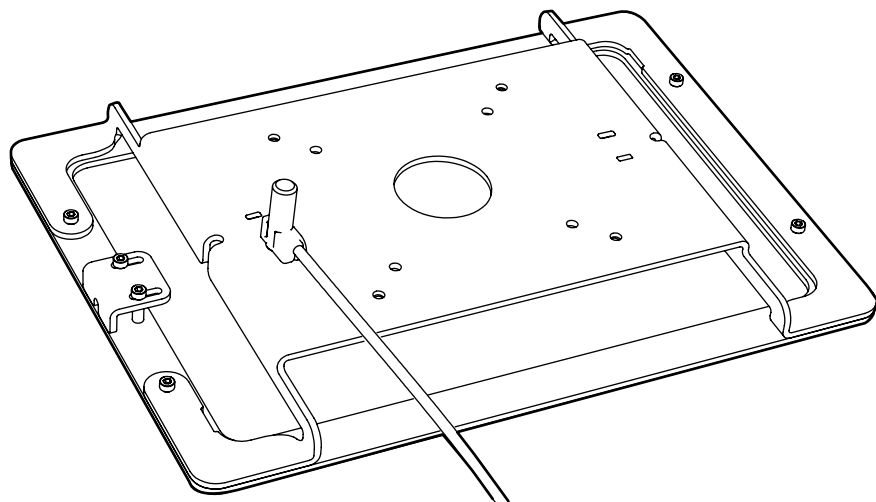


i Kiosk Floor Stand not included

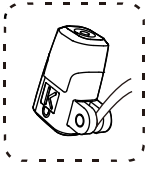
Kensington Nano ClickSafe Cable Lock



(Sold Separately)



Kensington ClickSafe Cable Lock



(Sold Separately)

