

WindFall®

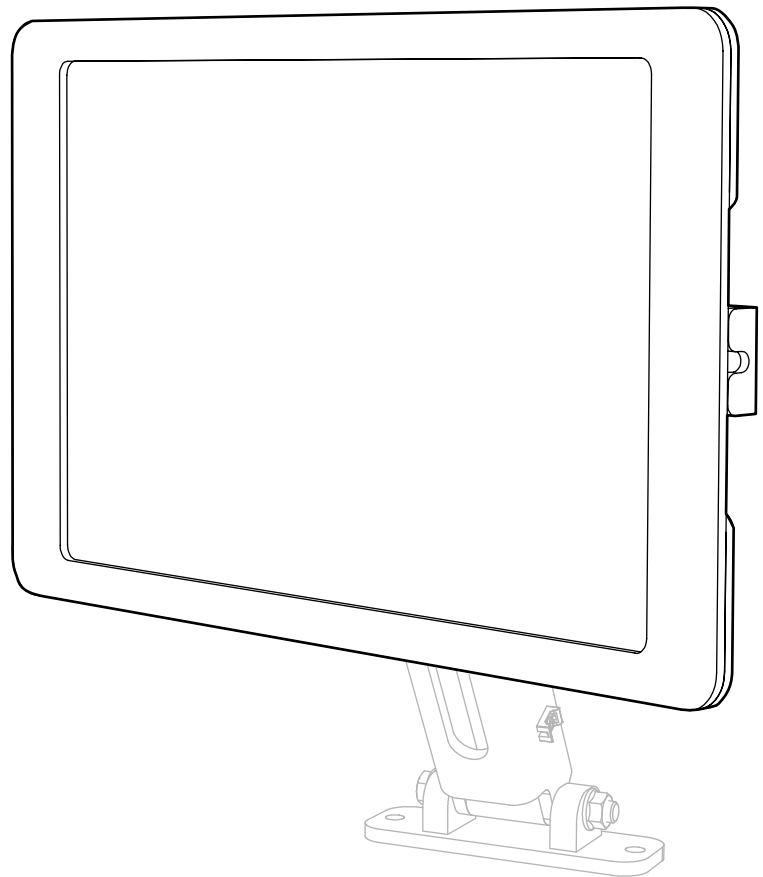


# VESA MOUNT

for Galaxy Tab A 10.1 (2019 Version)

---

Assembly & Installation



Compatible with:

Galaxy Tab A 10.1 (2019 Version)

## Limited Warranty

Heckler Design warrants your product to be free from defect in material and workmanship for a period of two years from the original date of purchase. Electronic components are warranted to be free from defect for a period of one year from the original date of purchase. If you discover a defect, please contact [service@hecklerdesign.com](mailto:service@hecklerdesign.com). Heckler Design will repair, at our discretion, using new or refurbished components. If repair is not possible, Heckler Design will replace the item.

1x



F628

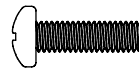


Assembly Tool

4x



F365



Screws

1x



F646



Security Assembly Tool



Keep your special assembly tool in a safe place. To purchase a replacement, please contact [service@hecklerdesign.com](mailto:service@hecklerdesign.com).

4x

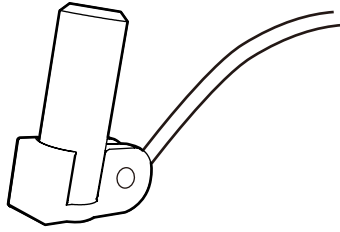


F645

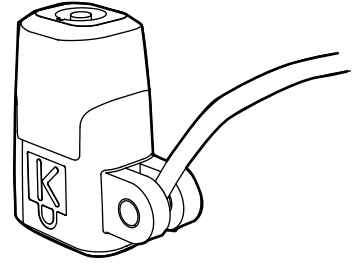


Security Screws

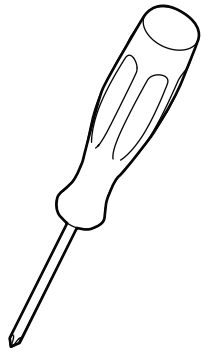
**Optional:**  
**Kensington NanoSaver**  
**Keyed Laptop Lock**  
(sold seperately)



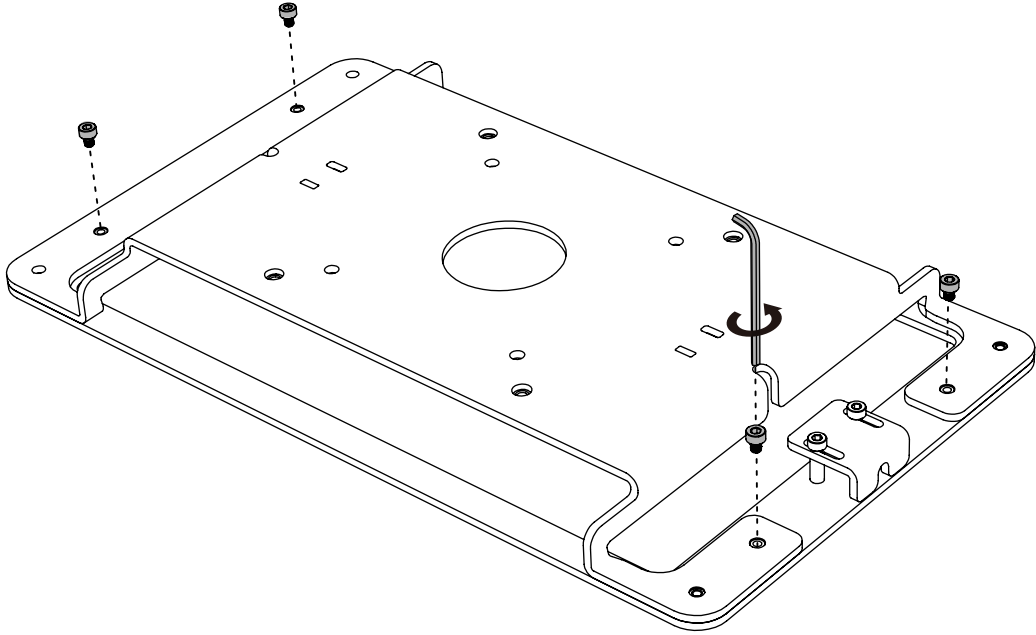
**Optional:**  
**Kensington ClickSafe Cable Lock**  
(sold seperately)



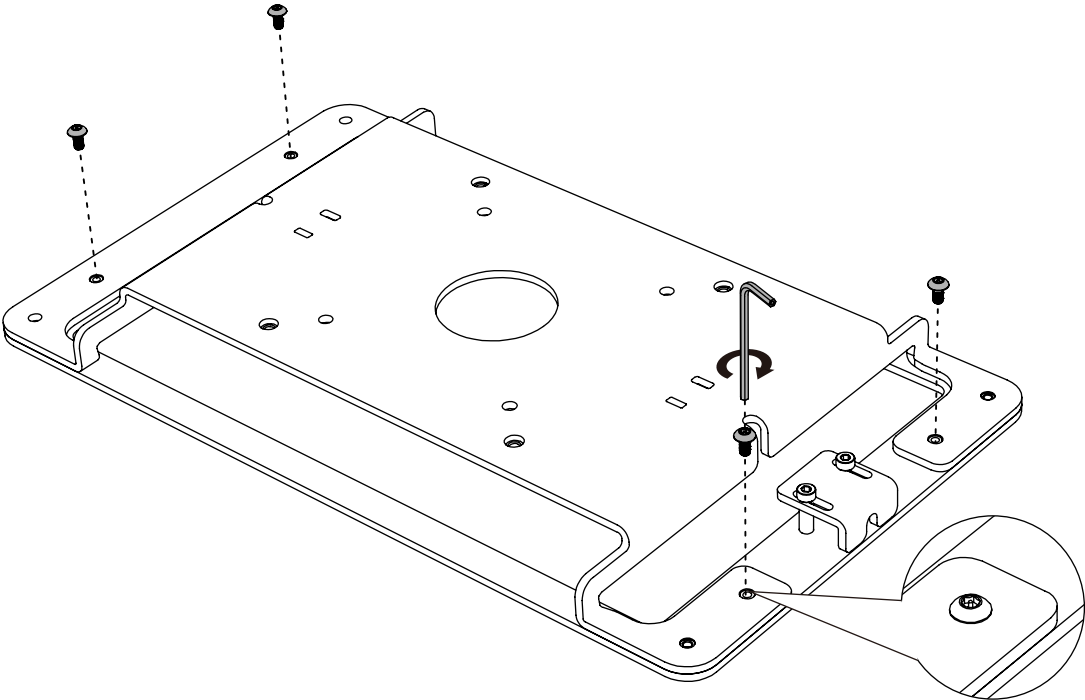
**Optional:**  
**Phillips head**  
**screwdriver**  
(not included)



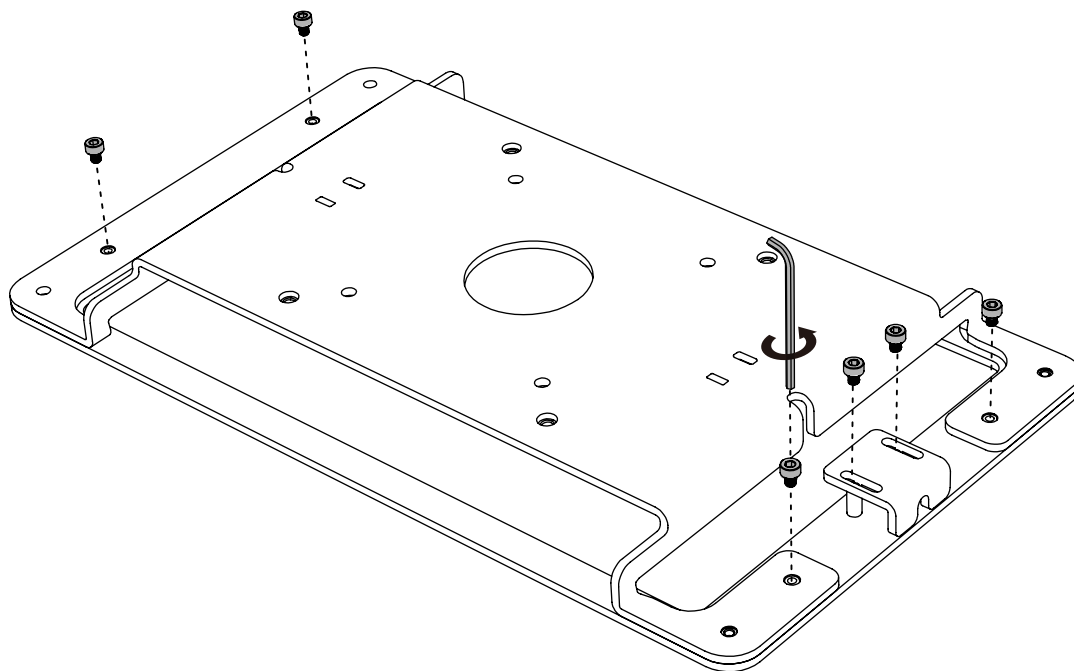
# Option: Remove original screws



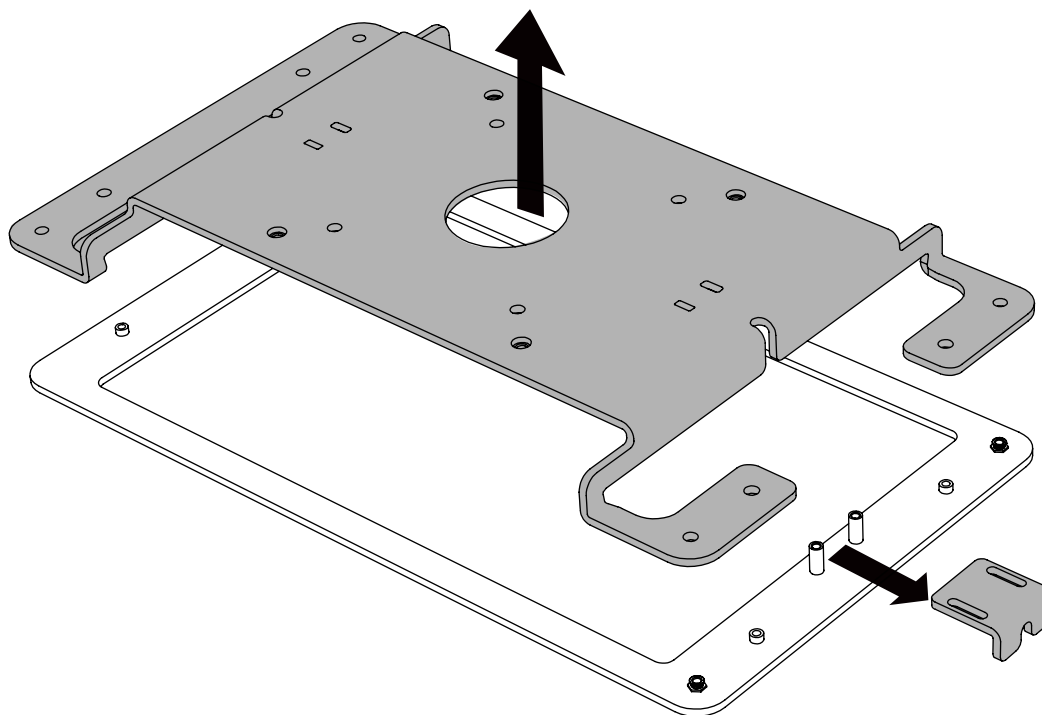
# Install security screws



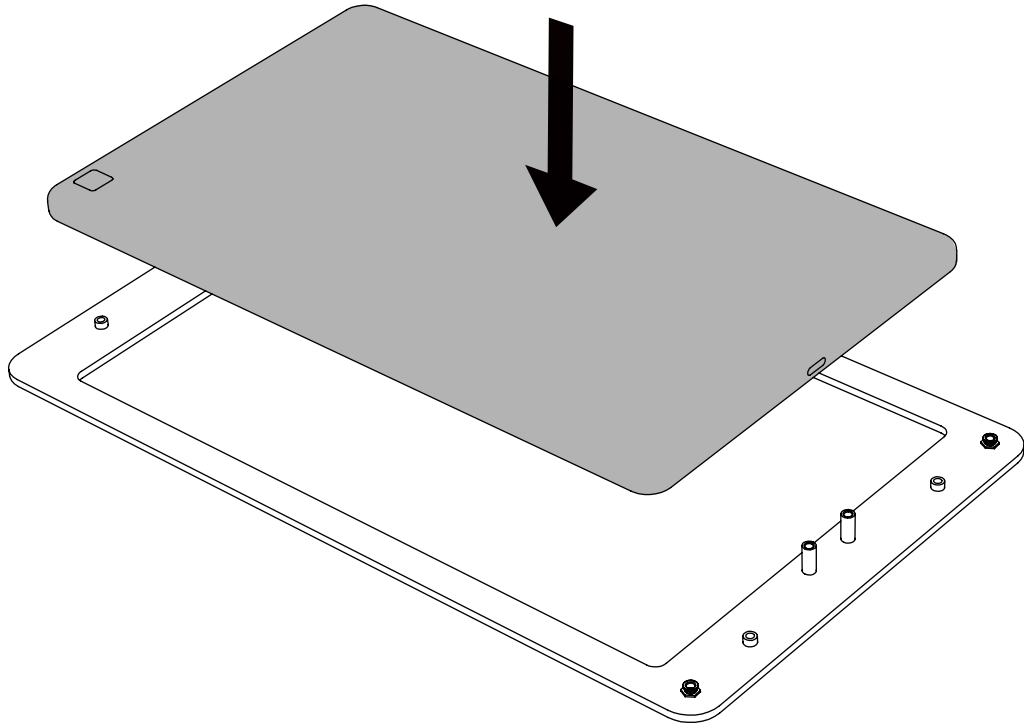
# 1 Remove screws



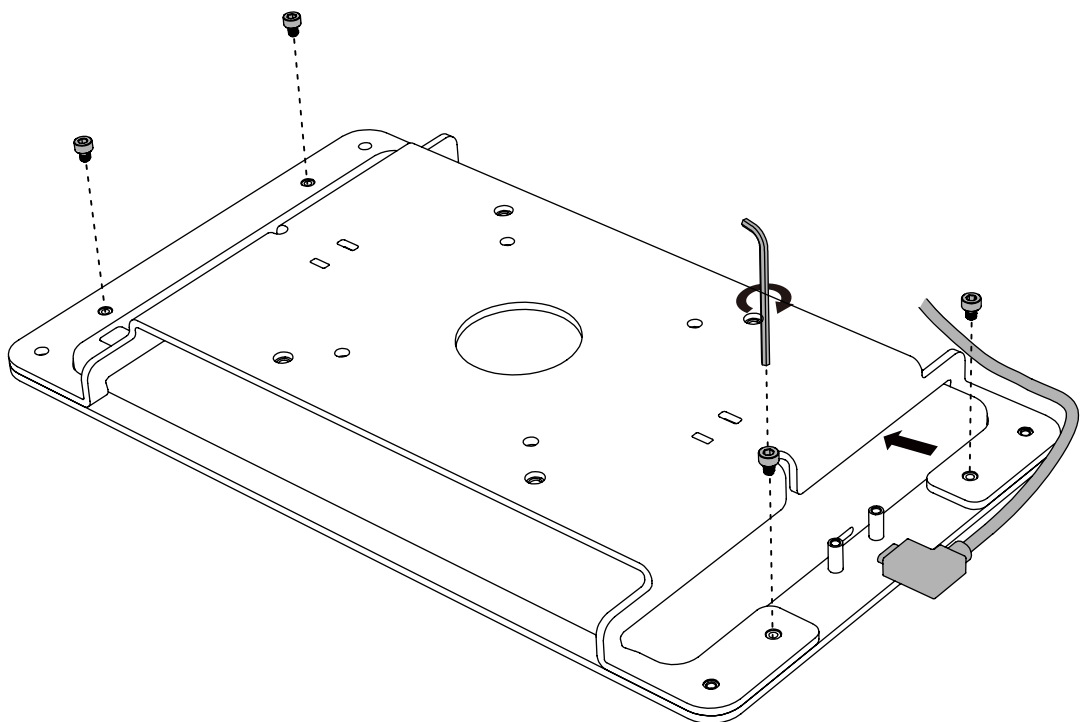
# 2 Remove tablet back plate and cord securer



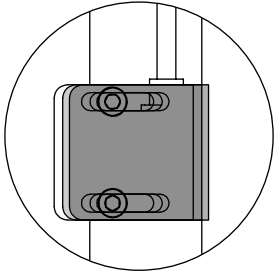
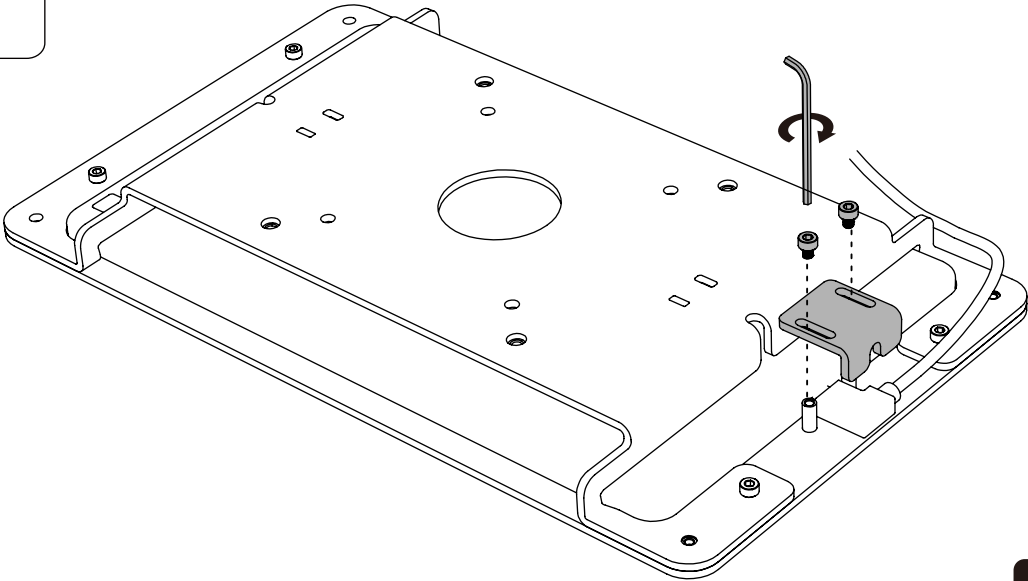
### 3 Install Galaxy Tab A 10.1



### 4 Route your USB-C cable and reinstall tablet back plate

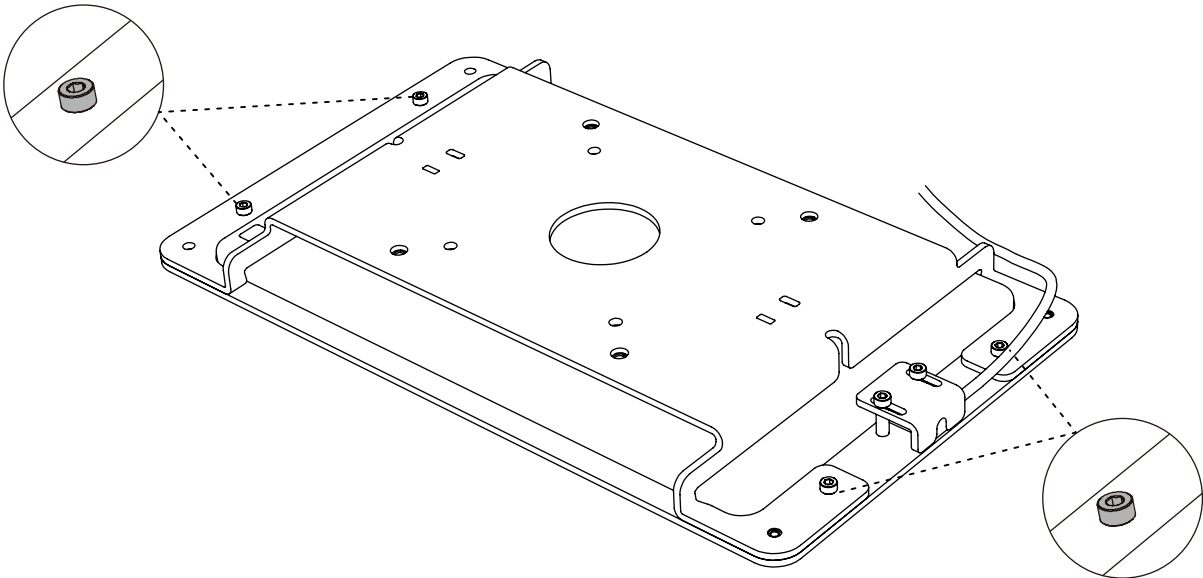


# 5 Fasten cord securer

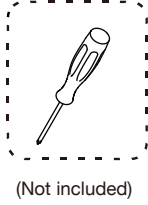


**i** Adjust cord securer snug to your cable

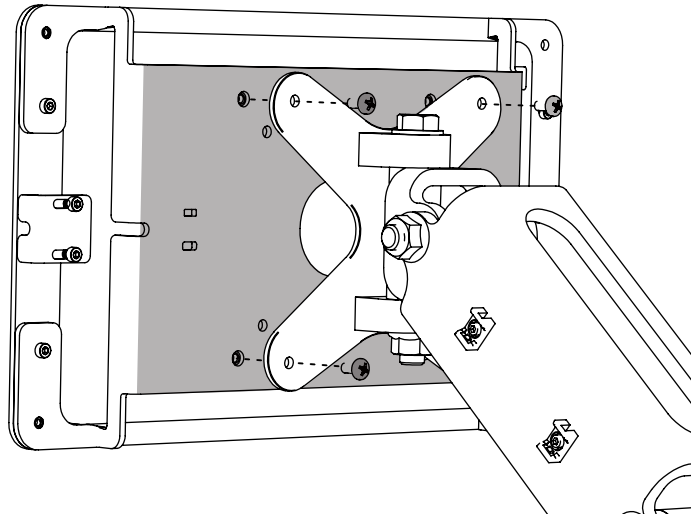
# 6 Tighten all screws



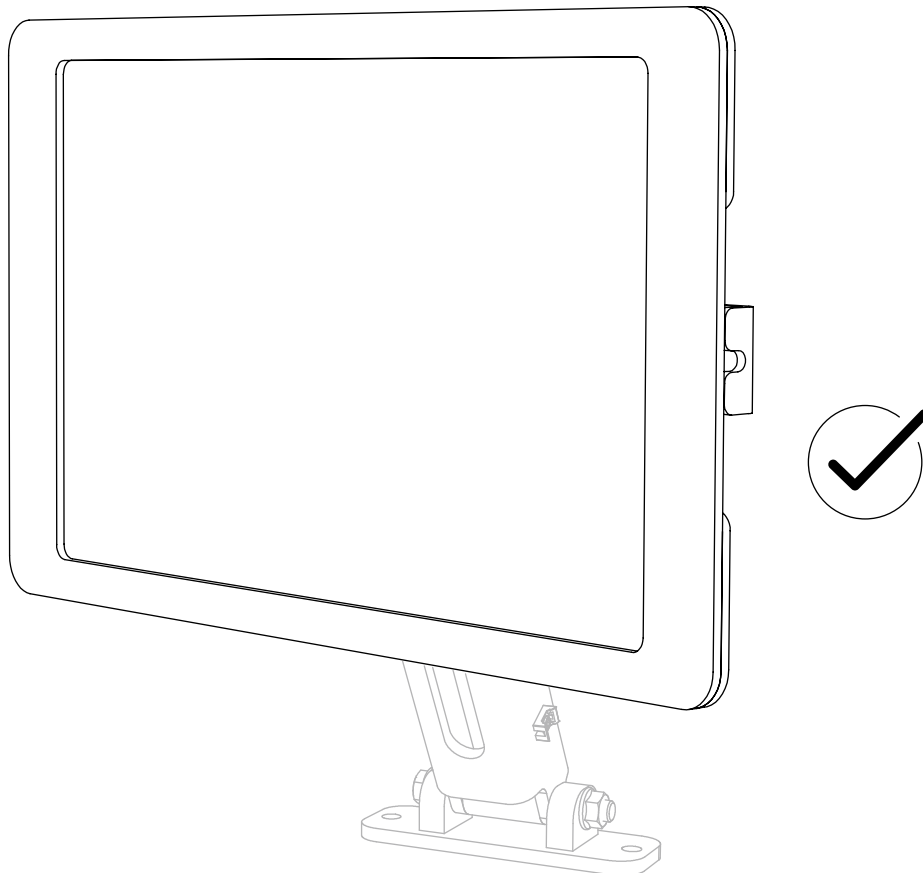
## 7 VESA arm mounting



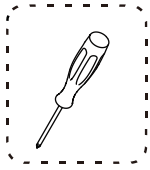
**i** Ergotron VESA arm not included



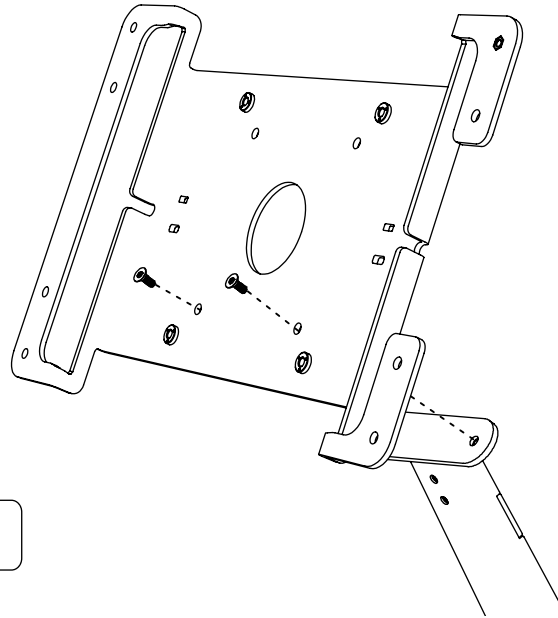
## 8 Done



## Kiosk Floor Stand mounting

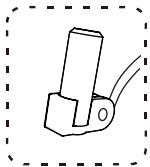


(Not included)

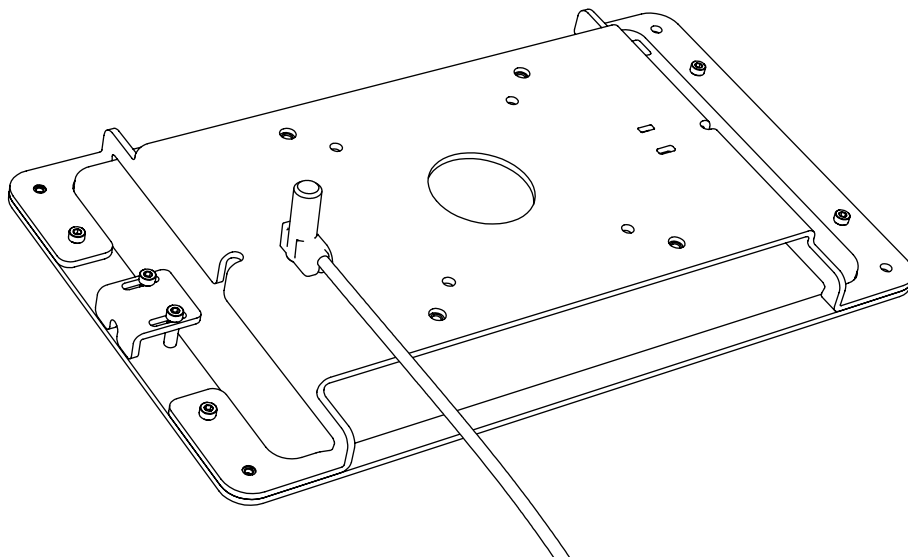


**i** Kiosk Floor Stand not included

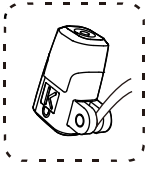
## Kensington Nano ClickSafe Cable Lock



(Sold Separately)



# Kensington ClickSafe Cable Lock



(Sold Separately)

