

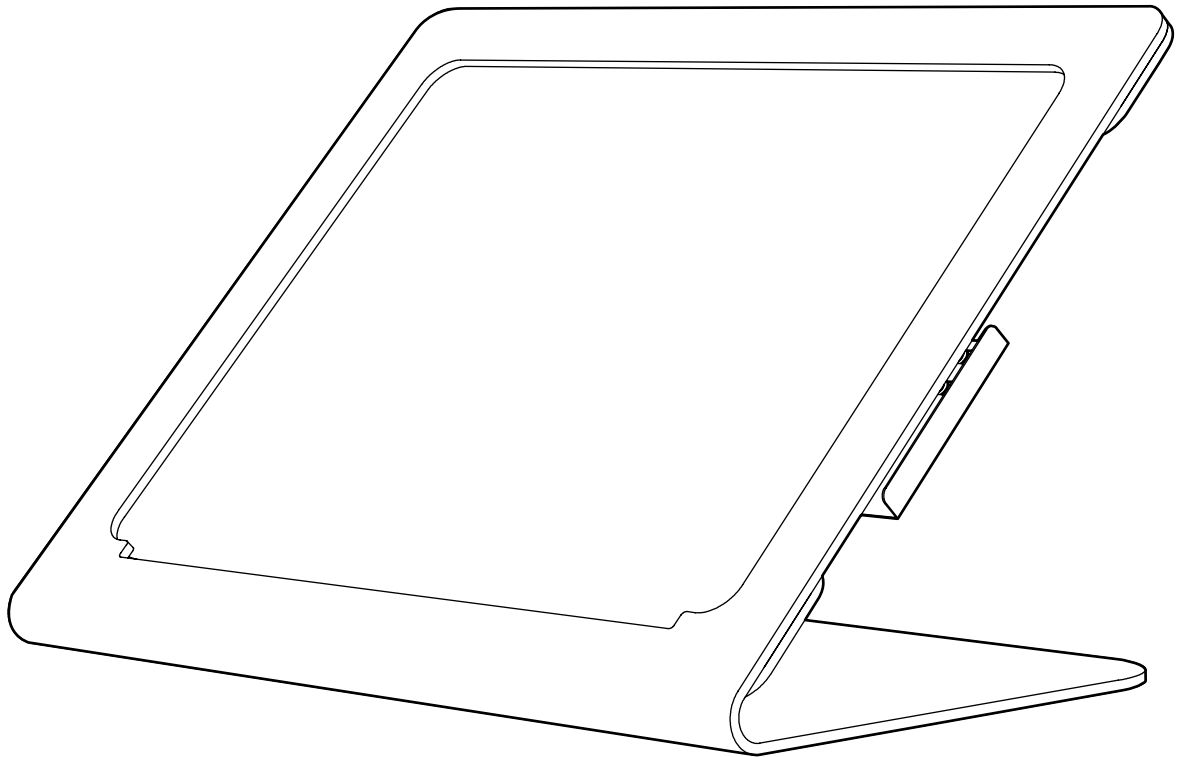
WindFall®

STAND



Secure Stand for Surface Go

Assembly & Installation



Compatible with:
Surface Go

Limited Warranty

Heckler Design warrants your product to be free from defect in material and workmanship for a period of two years from the original date of purchase. Electronic components are warranted to be free from defect for a period of one year from the original date of purchase. If you discover a defect, please contact service@hecklerdesign.com. Heckler Design will repair, at our discretion, using new or refurbished components. If repair is not possible, Heckler Design will replace the item.

1x



F529

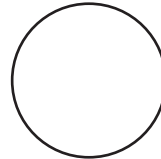


Assembly Tool

4x



F581



Felt Feet

4x



S130



Friction Feet

1x



F646



Security Assembly Tool



Keep your special assembly tool in a safe place. To purchase a replacement, please contact service@hecklerdesign.com.

6x

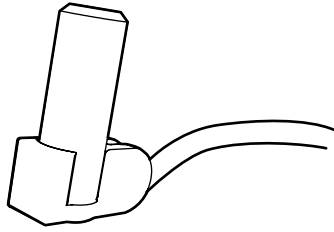


F645

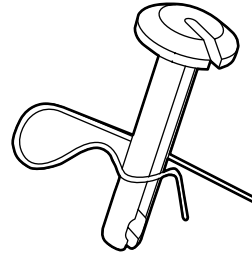


Security Screws

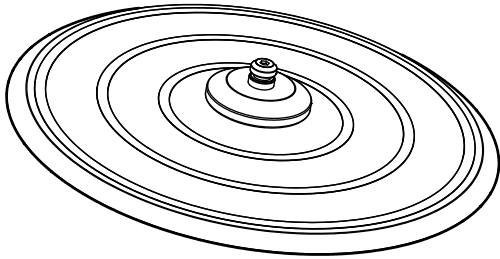
Optional:
Kensington NanoSaver
Keyed Laptop Lock
(sold seperately)



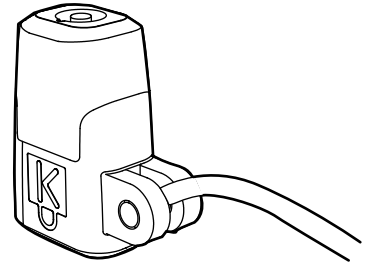
Optional:
PivotTack (sold seperately)



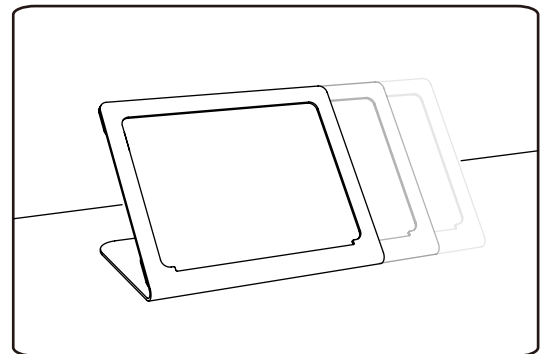
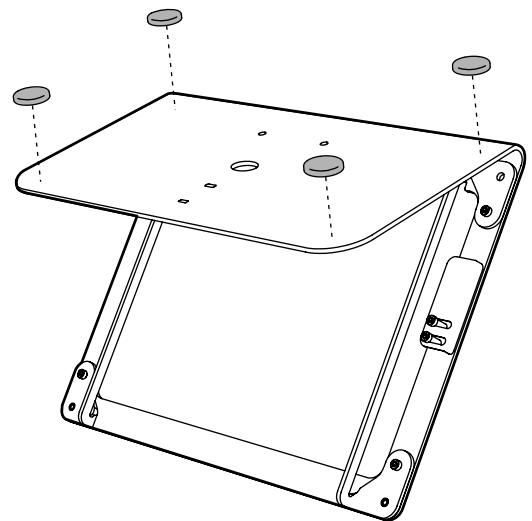
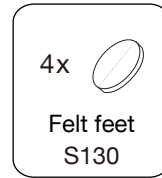
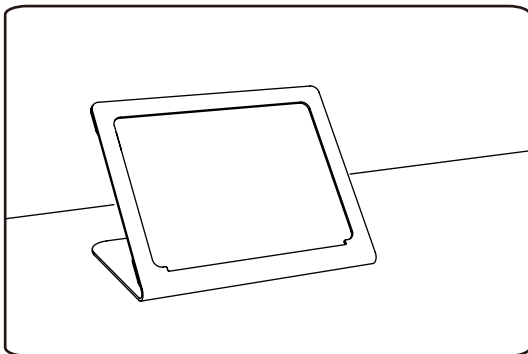
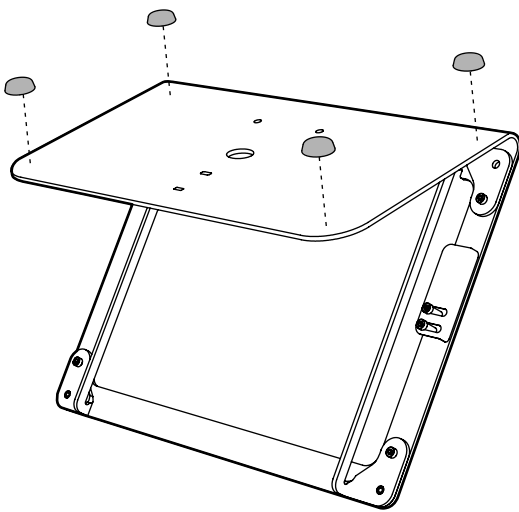
Optional:
PivotTable (sold seperately)



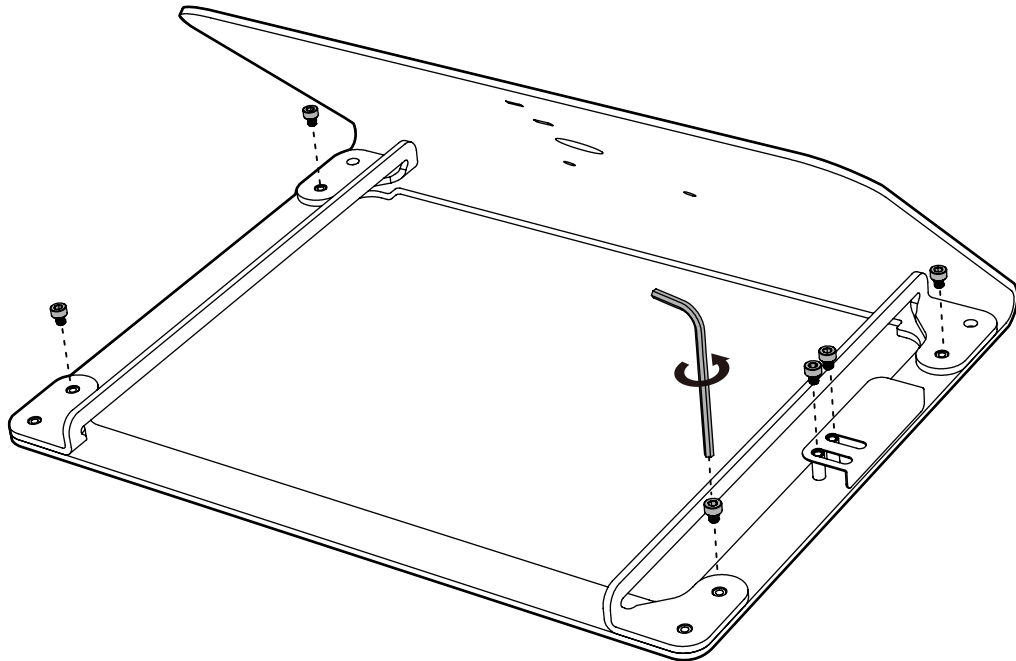
Optional:
Kensington ClickSafe Cable Lock
(sold seperately)



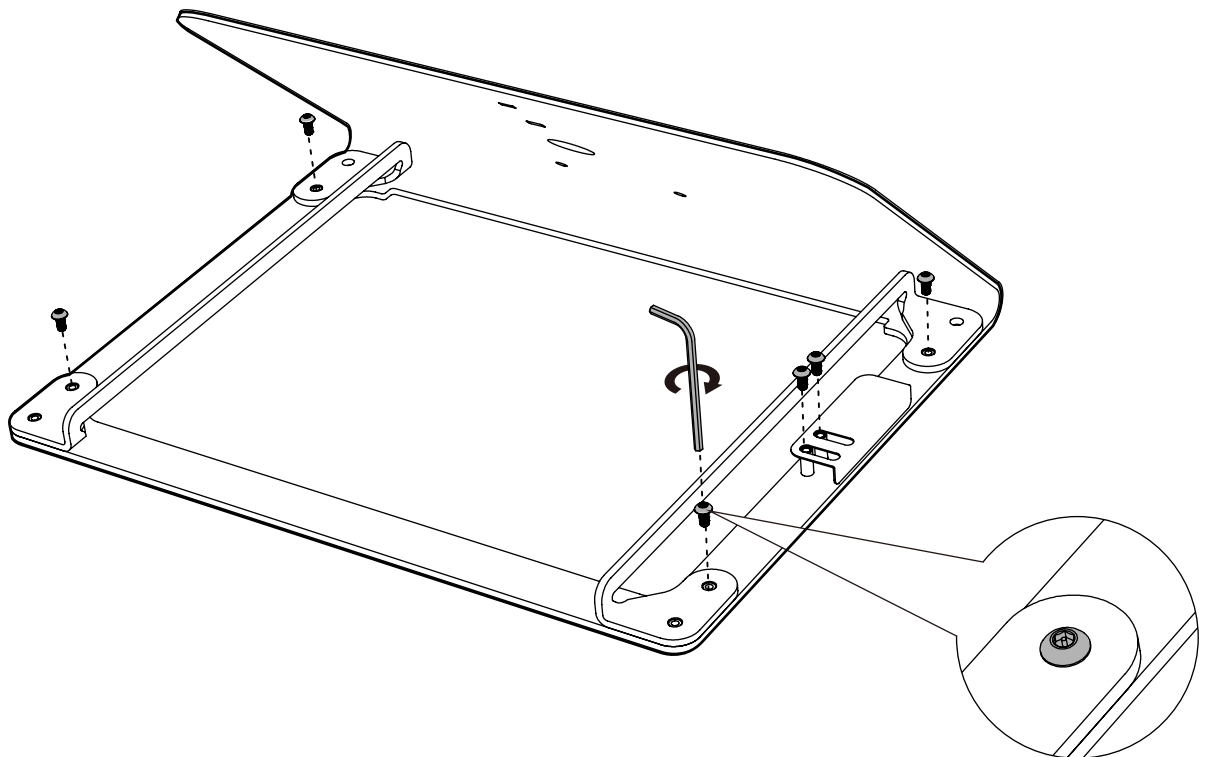
1 Select then install feet



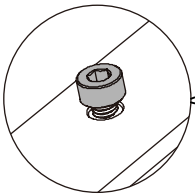
Option: Remove original screws



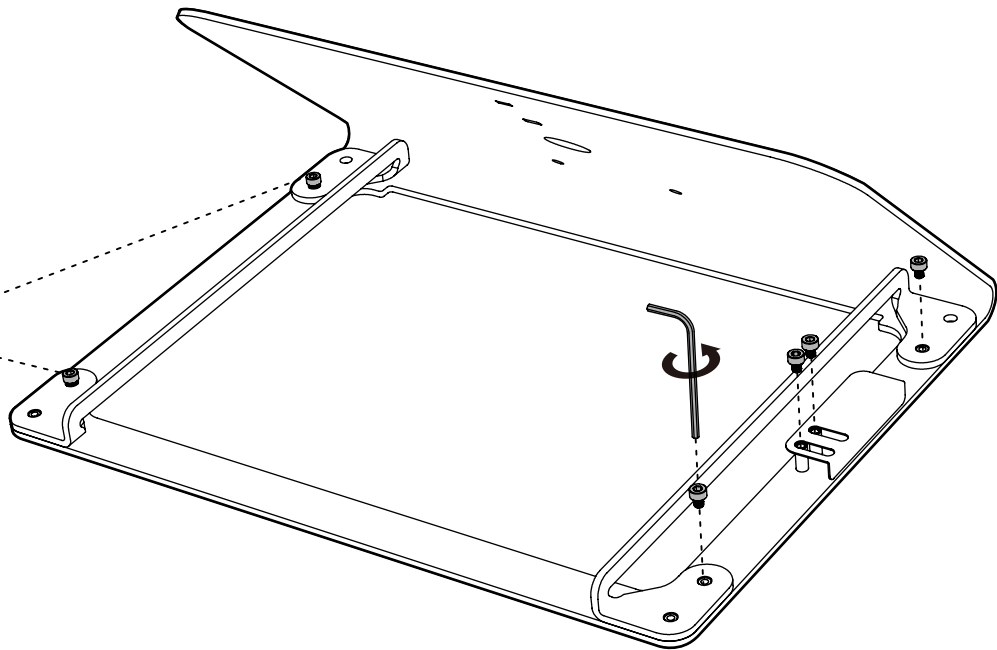
Install security screws



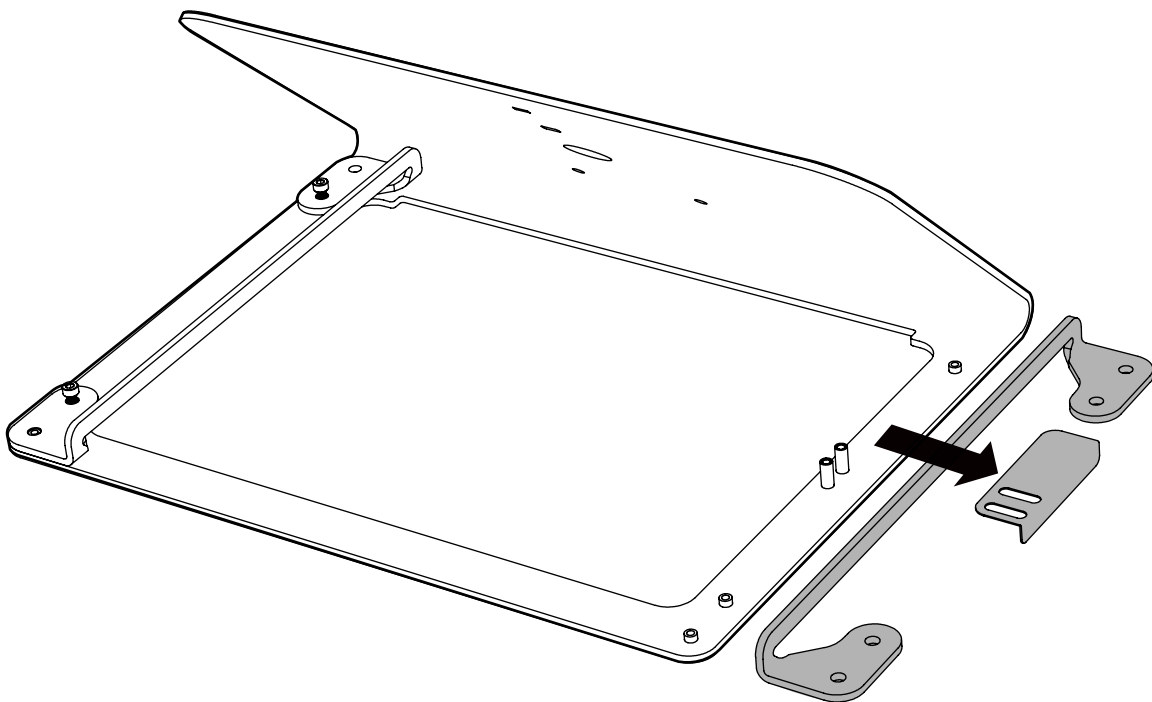
2 Loosen and remove screws



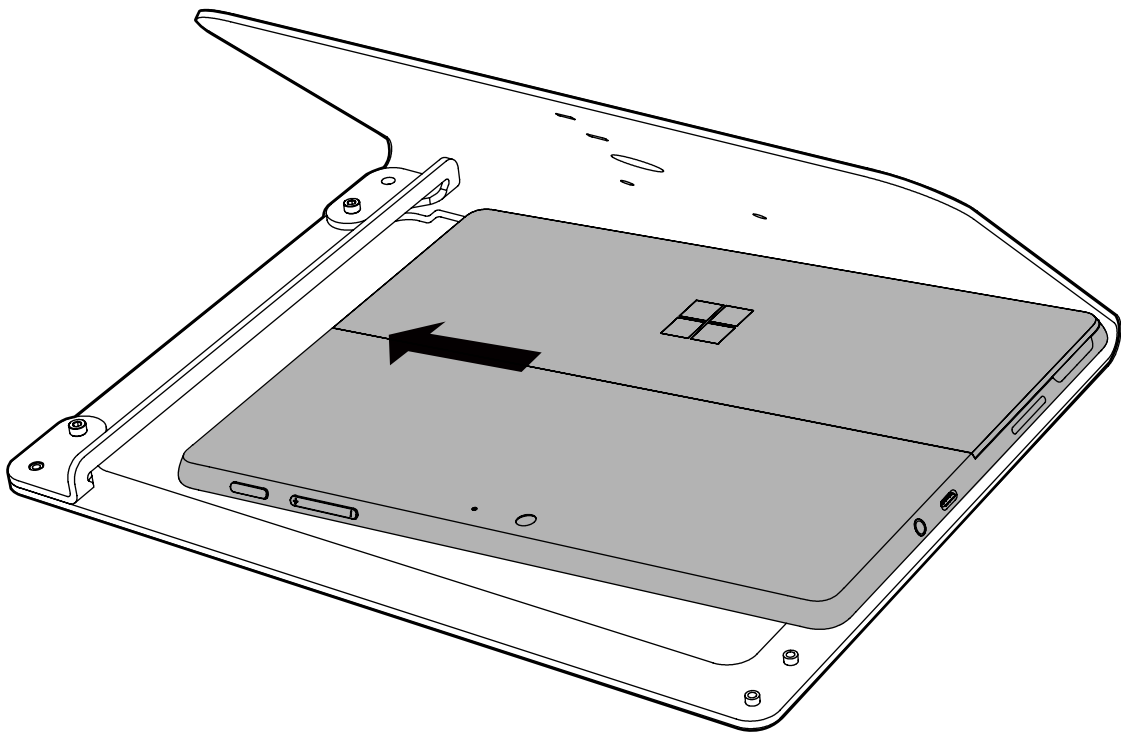
i Loosen, but do not remove.



3 Remove right-hand tablet bracket and cord securer

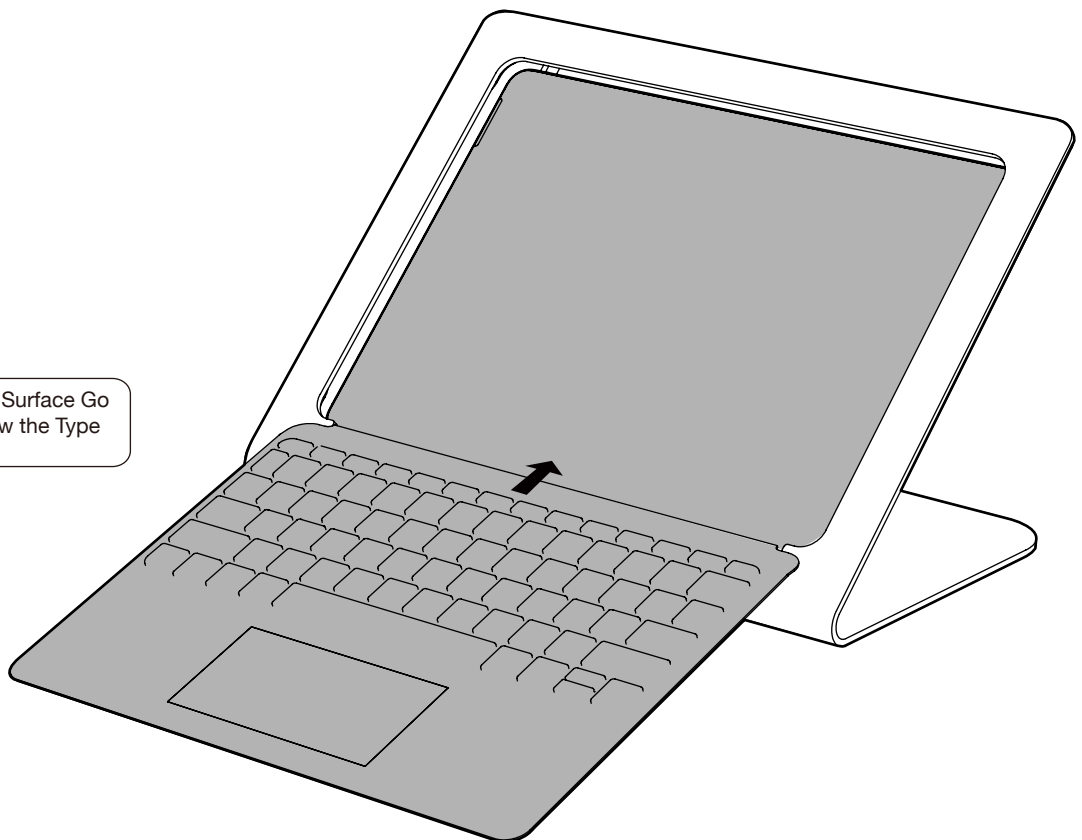


4 Install the iPad Pro

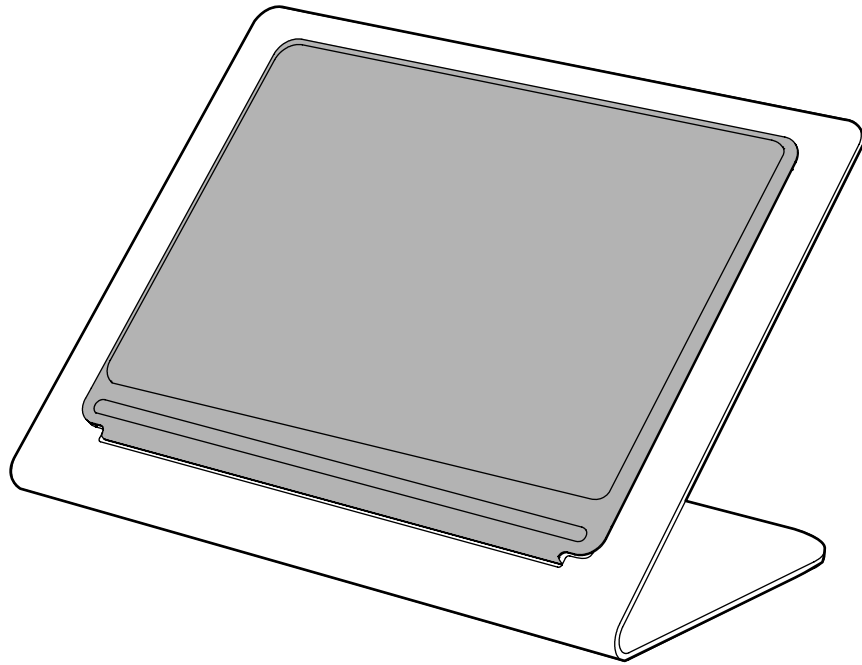


Option: Connect the Type Cover

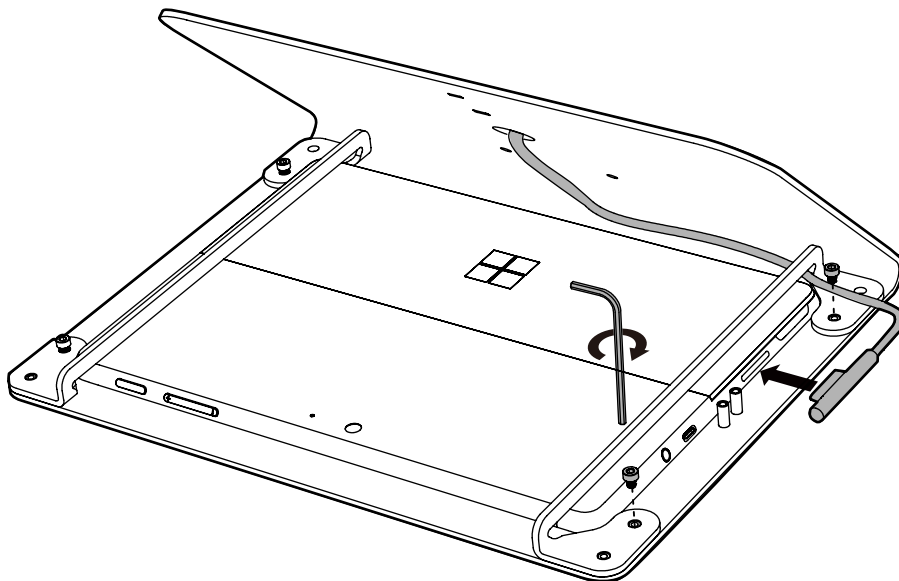
i Leave a gap between the Surface Go and the front bezel to allow the Type Cover to feed through



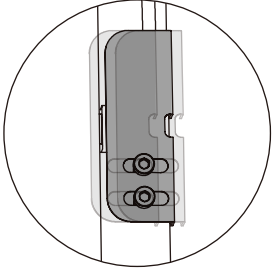
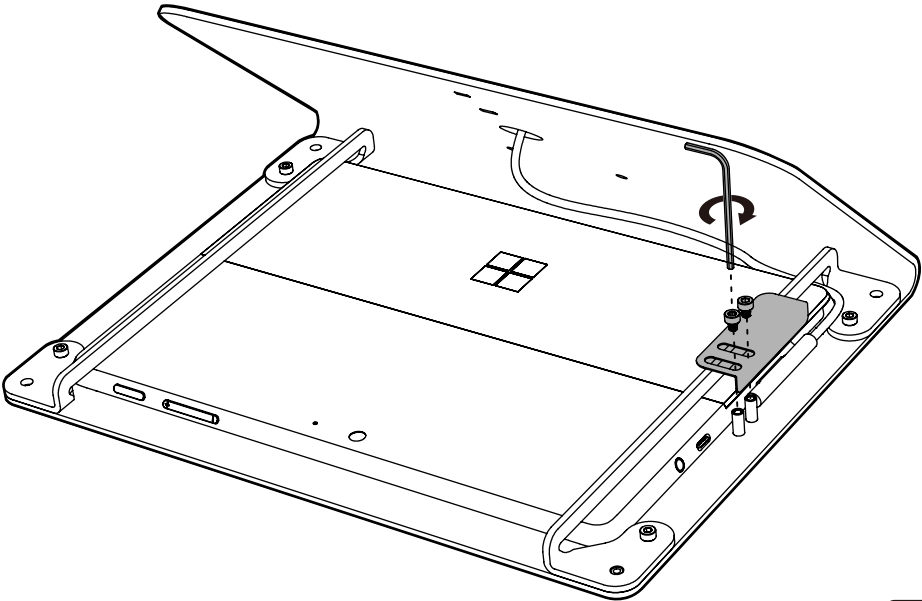
Option: Close the Type Cover



5 Route your Surface Go Connector and reinstall right-hand tablet bracket

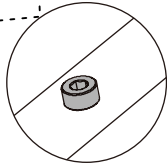
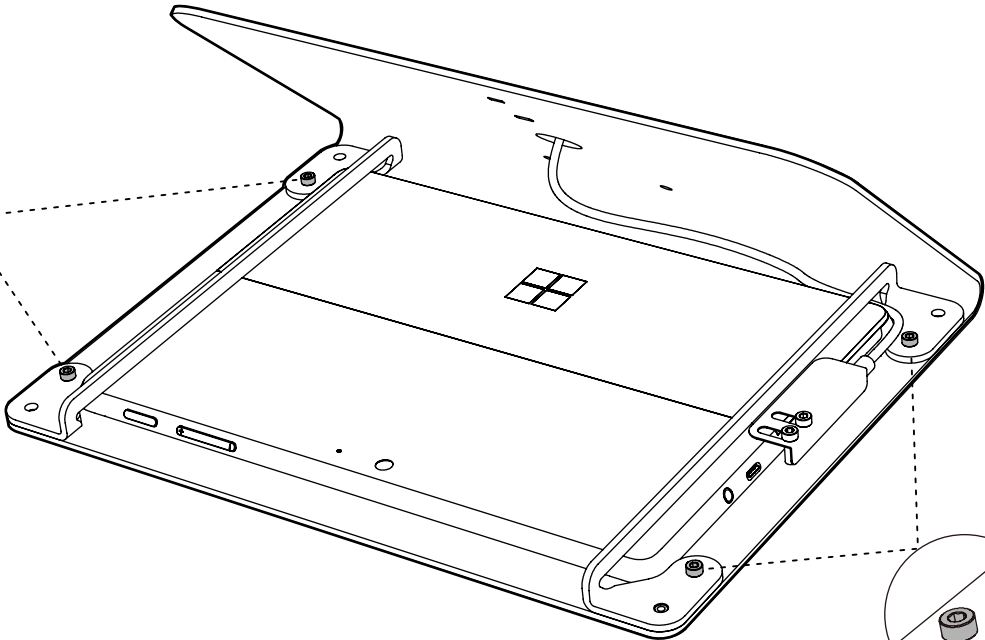
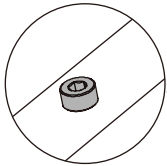


5 Fasten cord securer

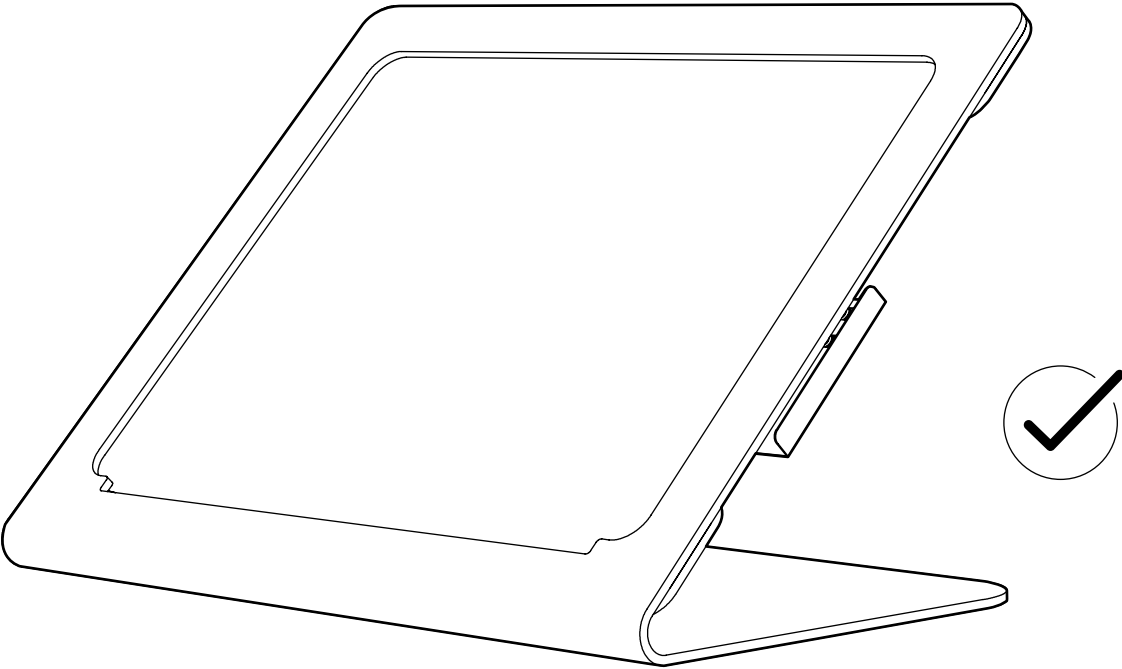


i Adjust cord securer snug to your cable

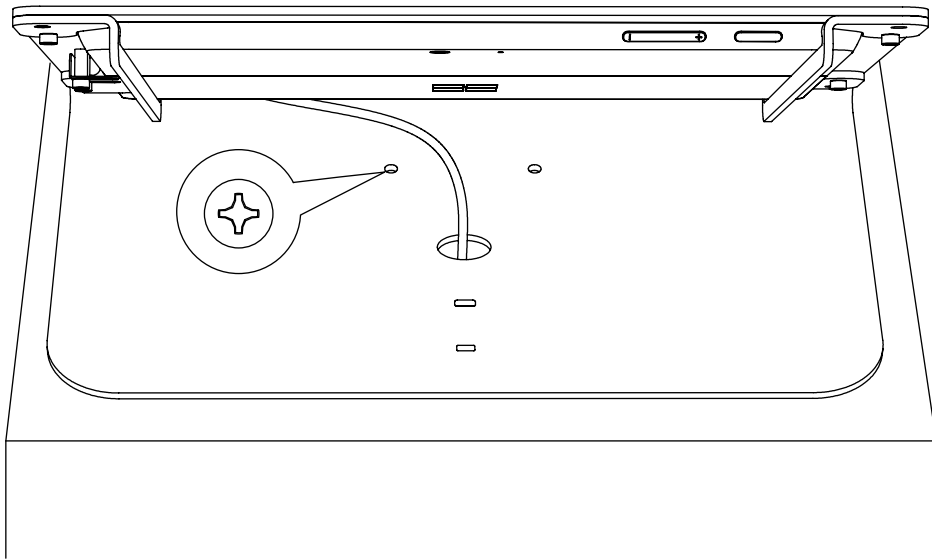
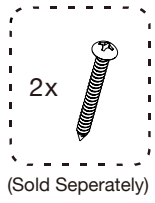
6 Tighten all screws



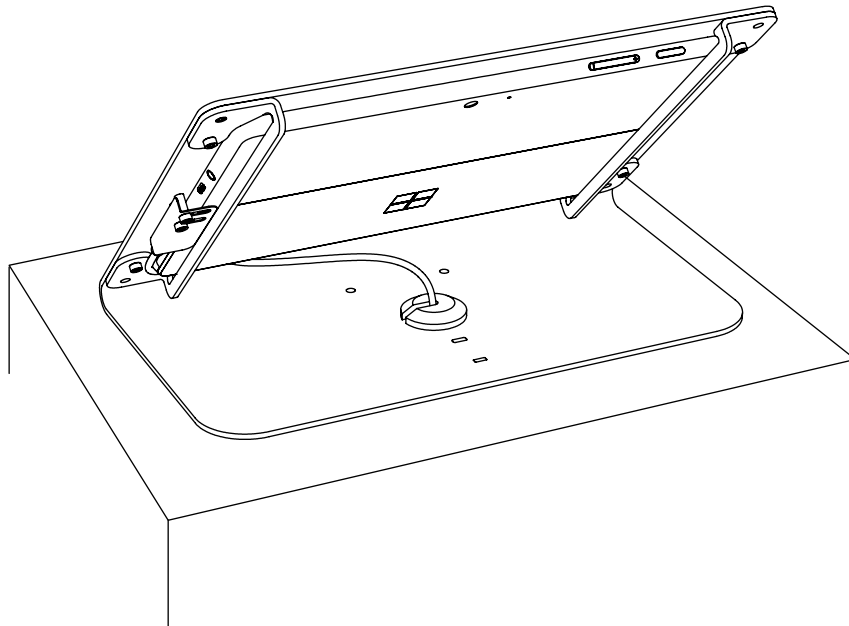
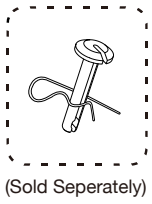
7 Done



Counter Mounting



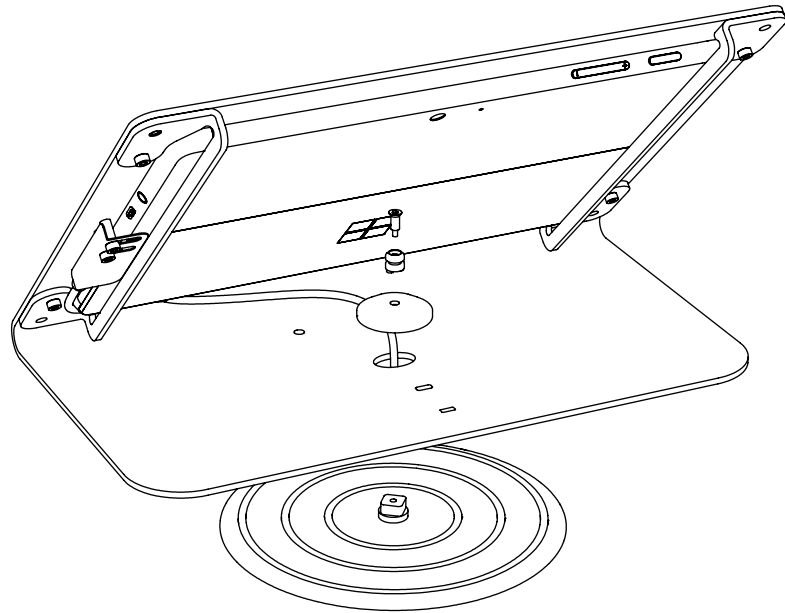
PivotTack



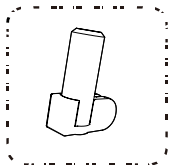
PivotTable



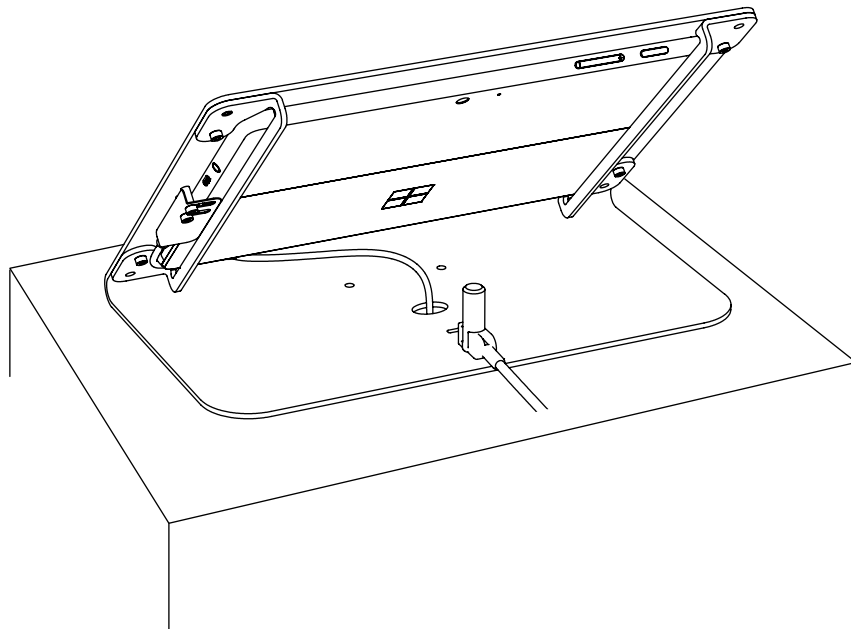
(Sold Separately)



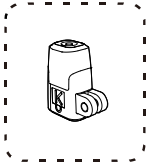
Kensington Nano ClickSafe Cable Lock



(Sold Separately)



Kensington ClickSafe Cable Lock



(Sold Separately)

