

WindFall®

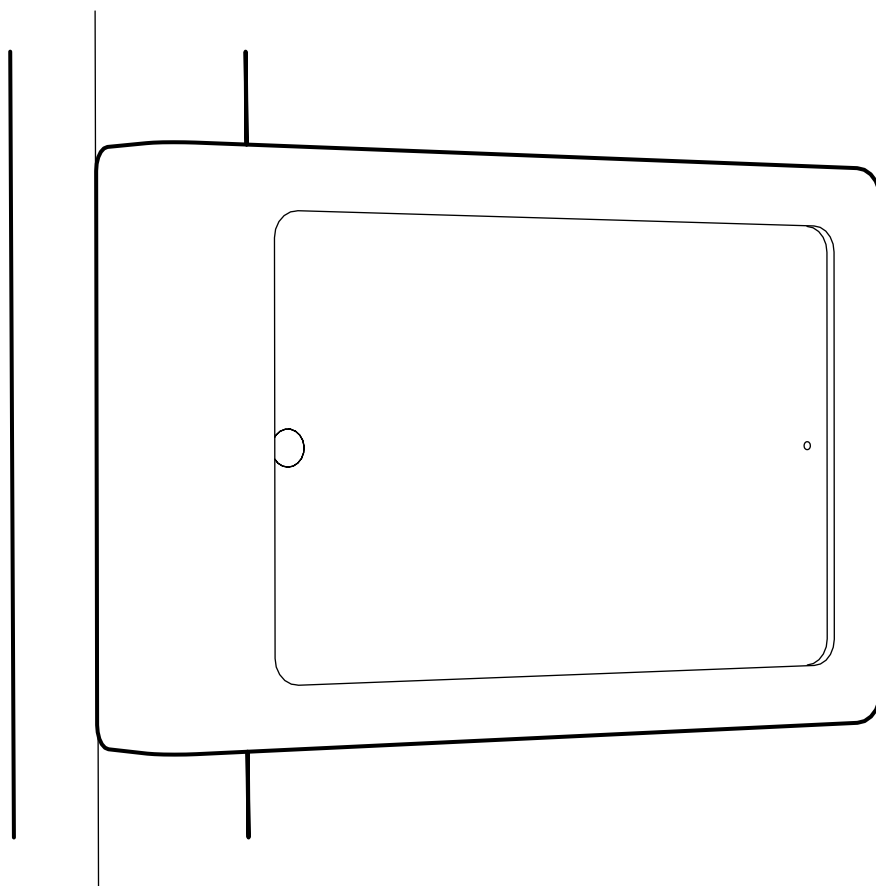
FRONT MOUNT



Hecklerdesign

Secure Enclosure for iPad for Room Scheduling

Assembly & Installation

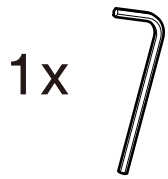


Compatible with:

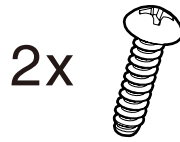
iPad Air 1
iPad Air 2
iPad Pro 9.7-inch
iPad (5th Gen)

Limited Warranty

Heckler Design warrants your product to be free from defect in material and workmanship for a period of two years from the original date of purchase. Electronic components are warranted to be free from defect for a period of one year from the original date of purchase. If you discover a defect, please contact service@hecklerdesign.com. Heckler Design will repair, at our discretion, using new or refurbished components. If repair is not possible, Heckler Design will replace the item.



M3 Hex Key
F529



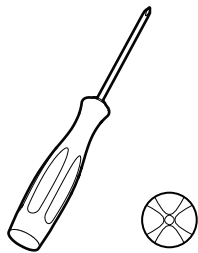
Thread-Forming
Mounting Screw
F486



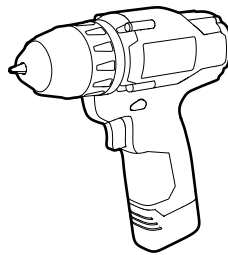
Foam for iPad Fit
Adapter Clip
E250



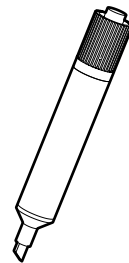
Keep your **special** assembly tool in a safe place. To purchase a replacement, please contact service@hecklerdesign.com.



Phillips Head
Screwdriver

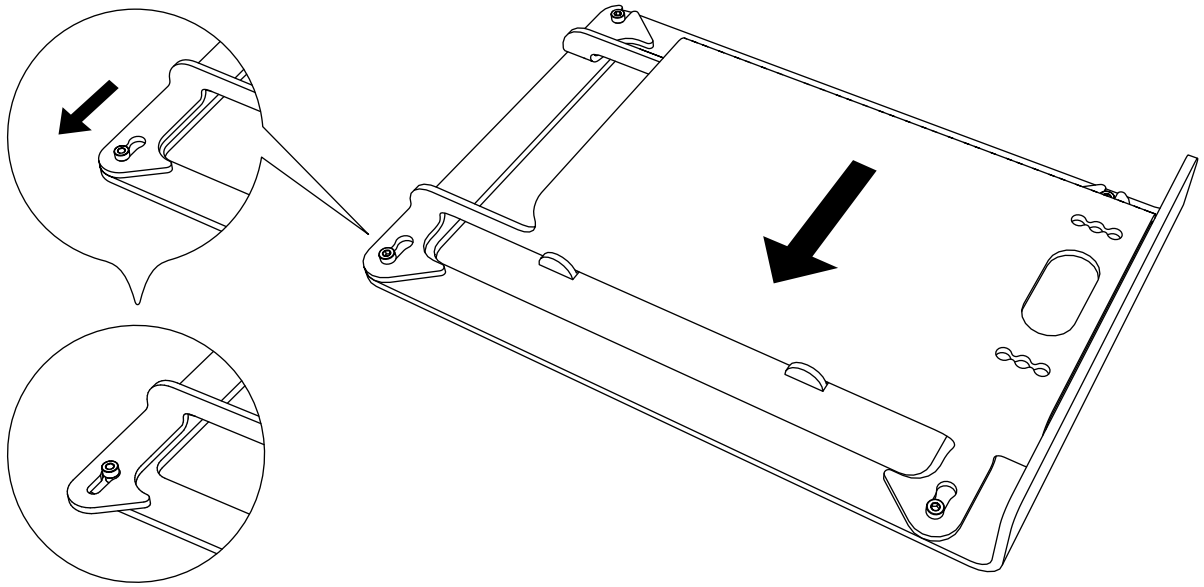


Drill
(#17 drill bit or 5/32-inch drill bit)

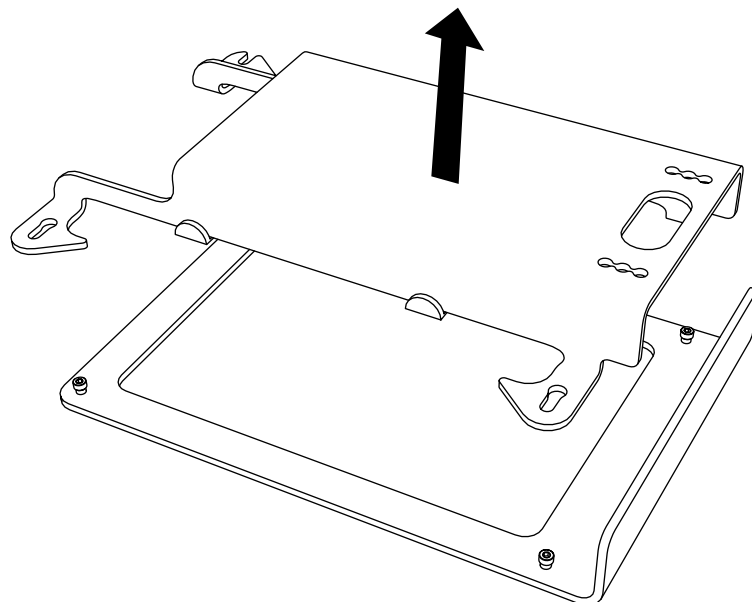


Marker

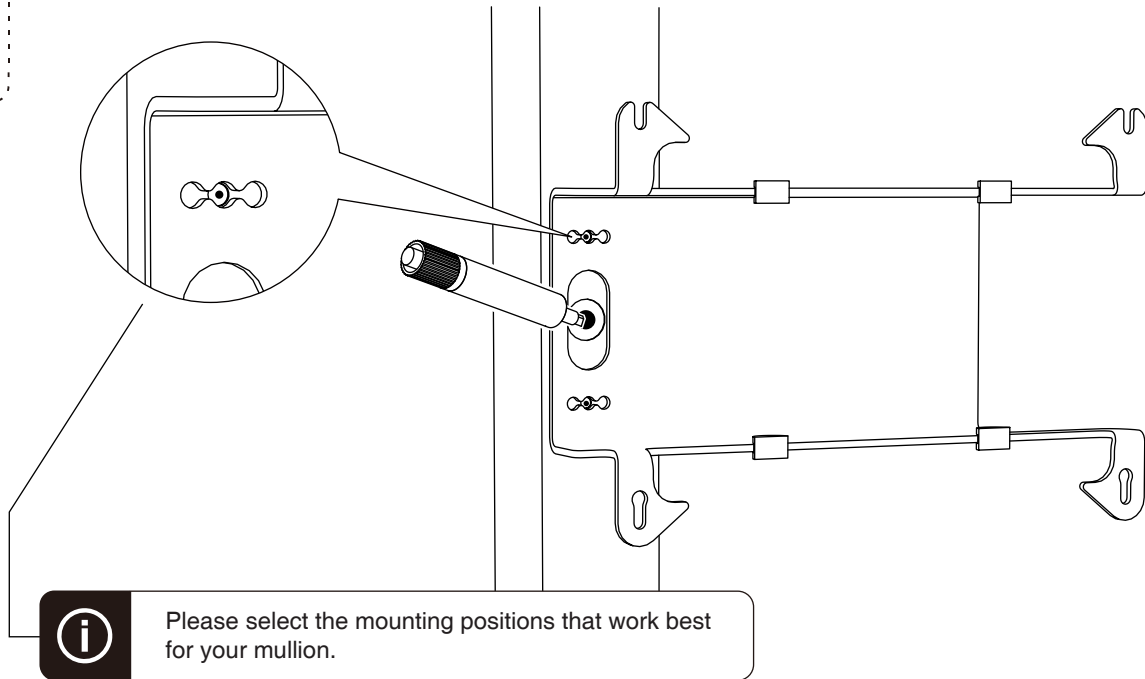
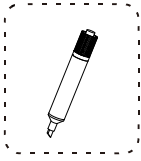
1 Disassemble Front Mount



2 Remove Mounting Bracket From Front Bezel

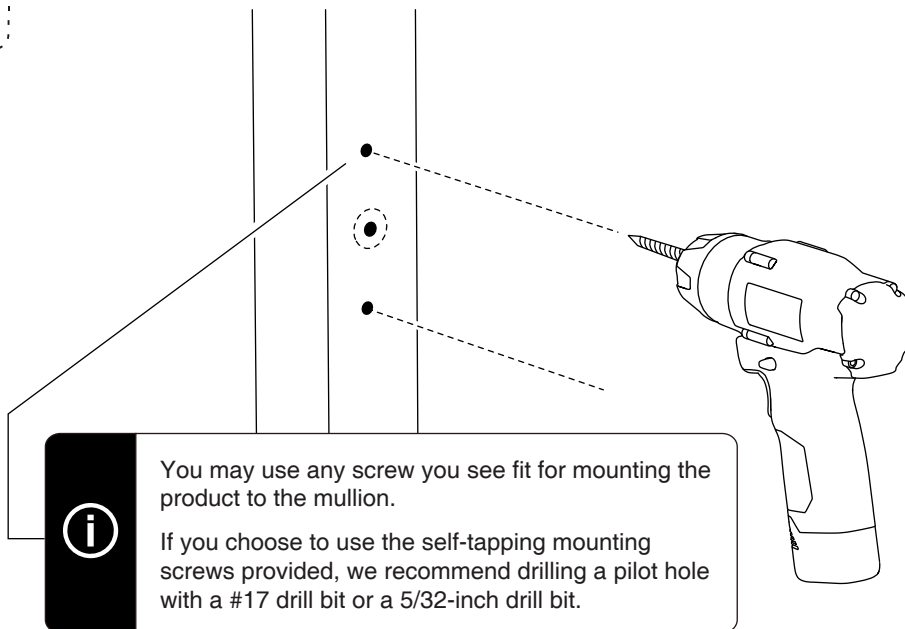
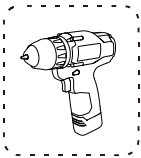


3 Mark Hole Positions



Please select the mounting positions that work best for your mullion.

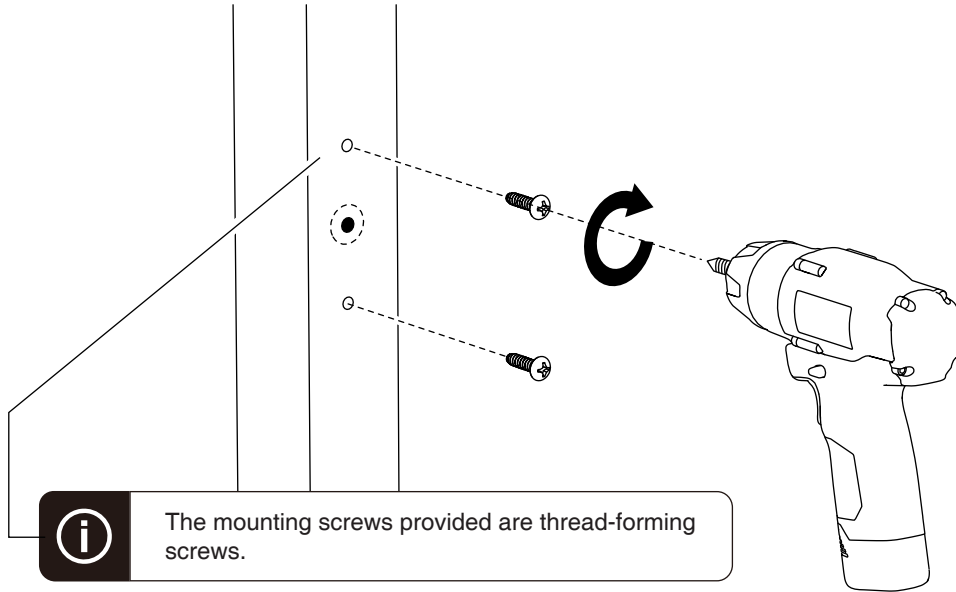
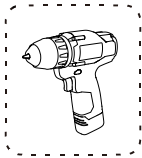
4 Drill Mounting Holes



You may use any screw you see fit for mounting the product to the mullion.

If you choose to use the self-tapping mounting screws provided, we recommend drilling a pilot hole with a #17 drill bit or a 5/32-inch drill bit.

5 Form Mounting Hole Threads



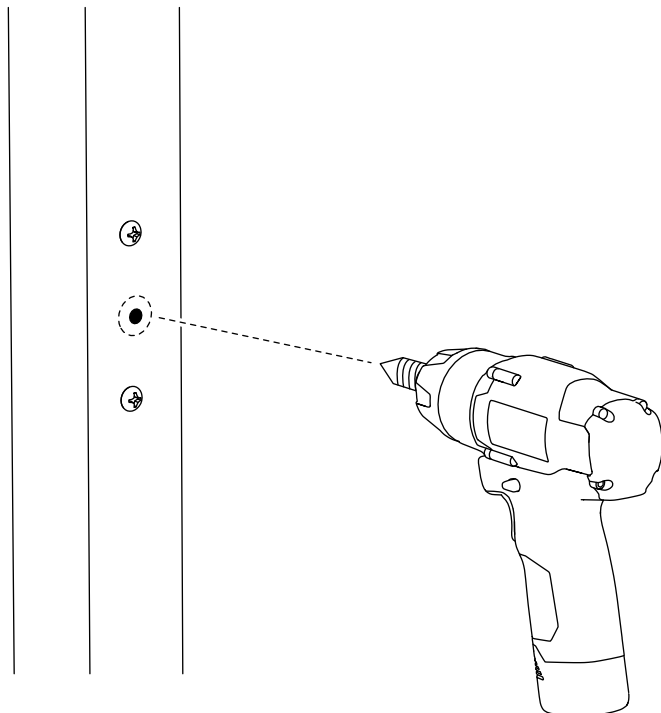
The mounting screws provided are thread-forming screws.



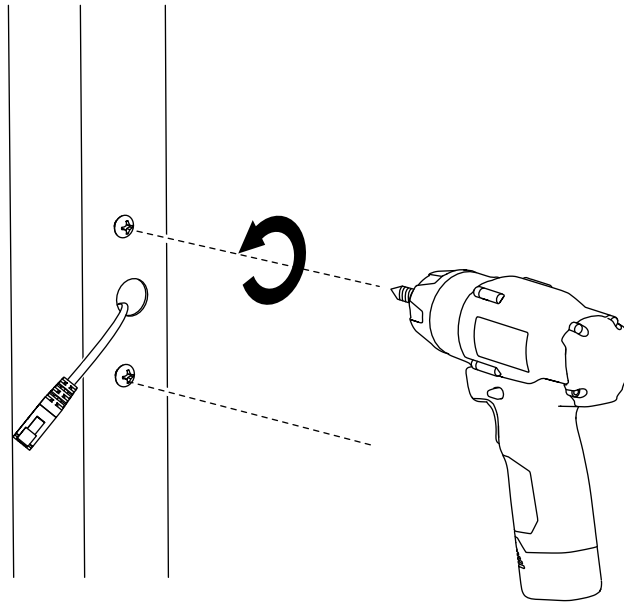
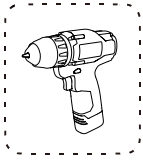
Ethernet Cable Hole

If your Ethernet cable has an RJ45 connector installed, drill a 5/8 inch hole in the position shown.

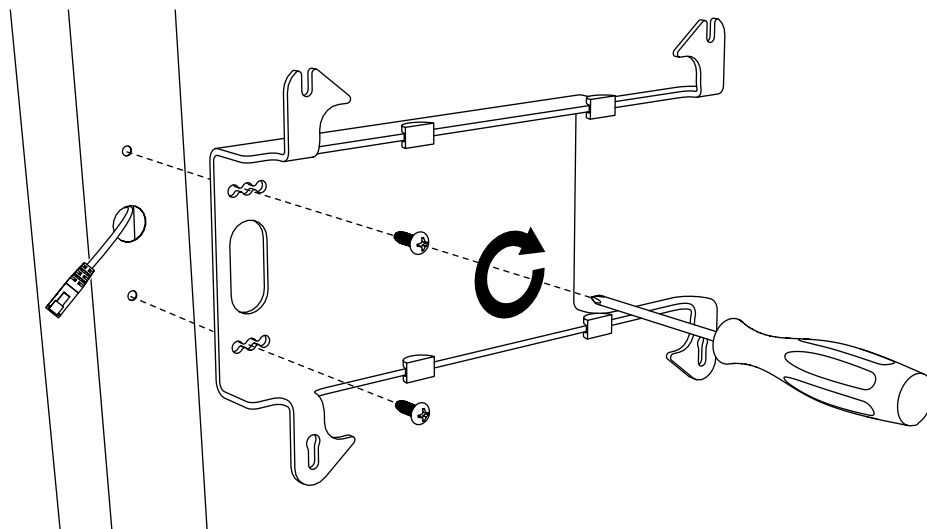
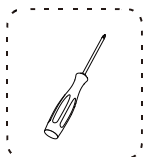
If you will install an RJ45 connector after the Ethernet cable is drawn through the mullion, a smaller hole can be created.



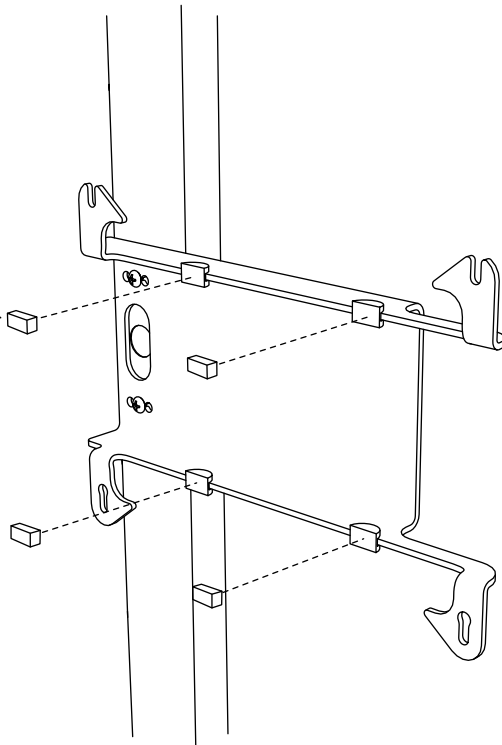
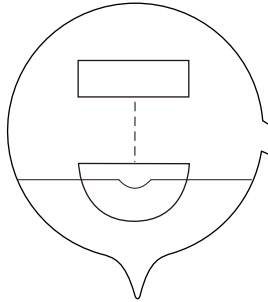
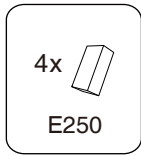
6 Remove Mounting Screws



7 Fasten Mounting Bracket to mullion

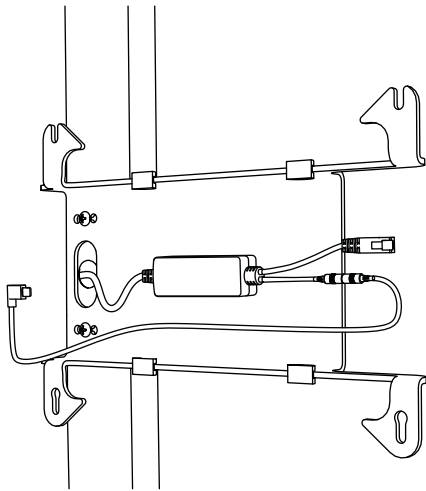


Adapter Clips For iPad Pro 9.7-inch and iPad Air 2

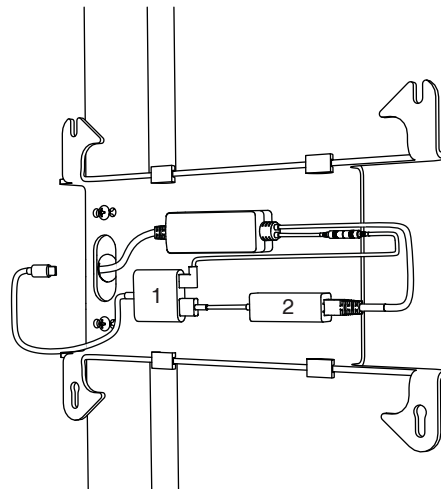


8 Charging Options

PoE Splitter (Power Only)



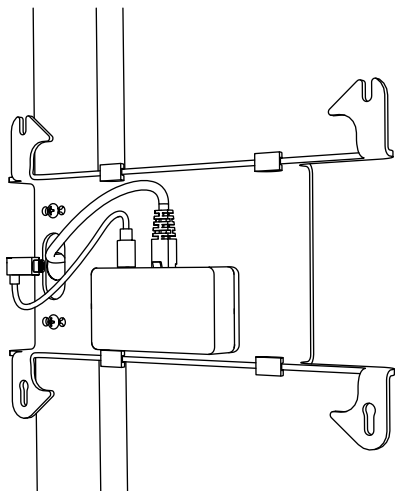
PoE Splitter (With wired data connection)



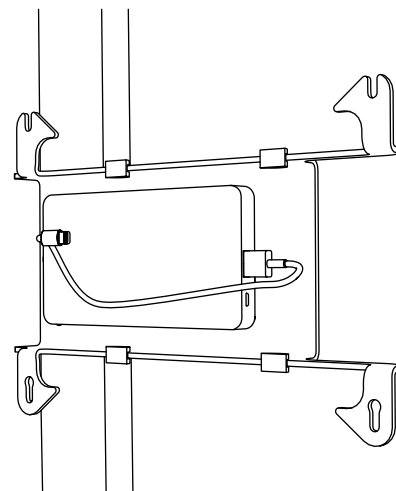
1. Apple Lightning to USB 3 Camera Adapter

2. Apple USB Ethernet Adapter

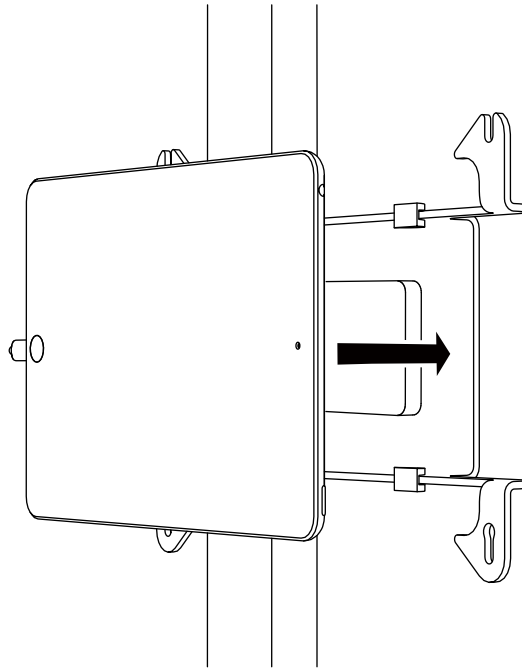
Gigabit + PoE Adapter



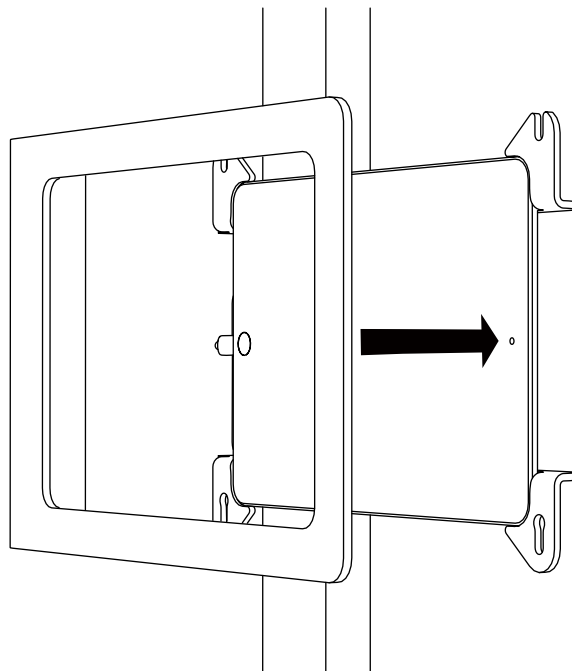
Battery Bank



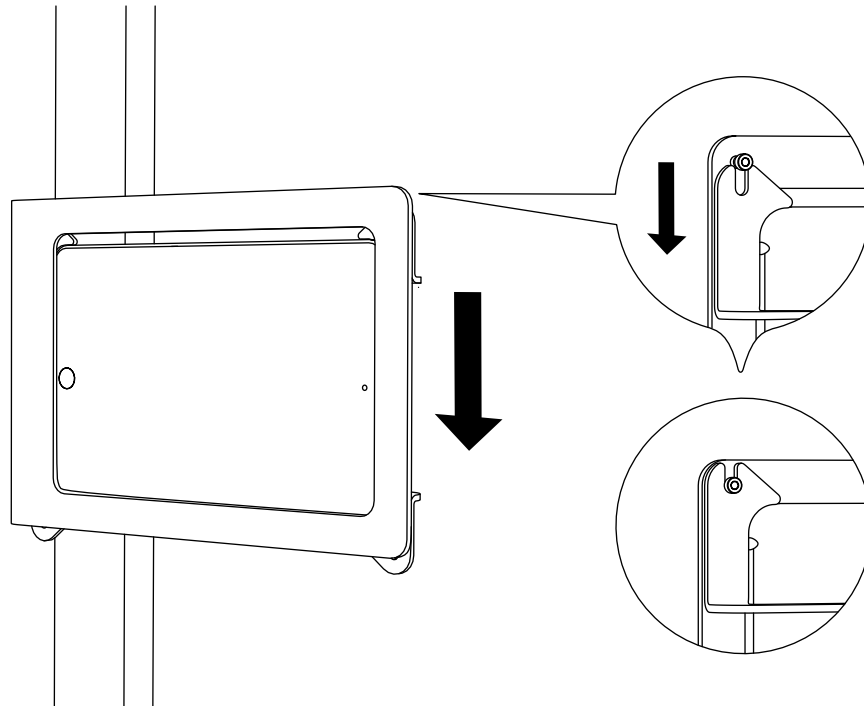
9 Install Tablet



10 Install Front Bezel



11 Slide Front Bezel Onto Mounting Bracket



12 Tighten Assembly Screws

