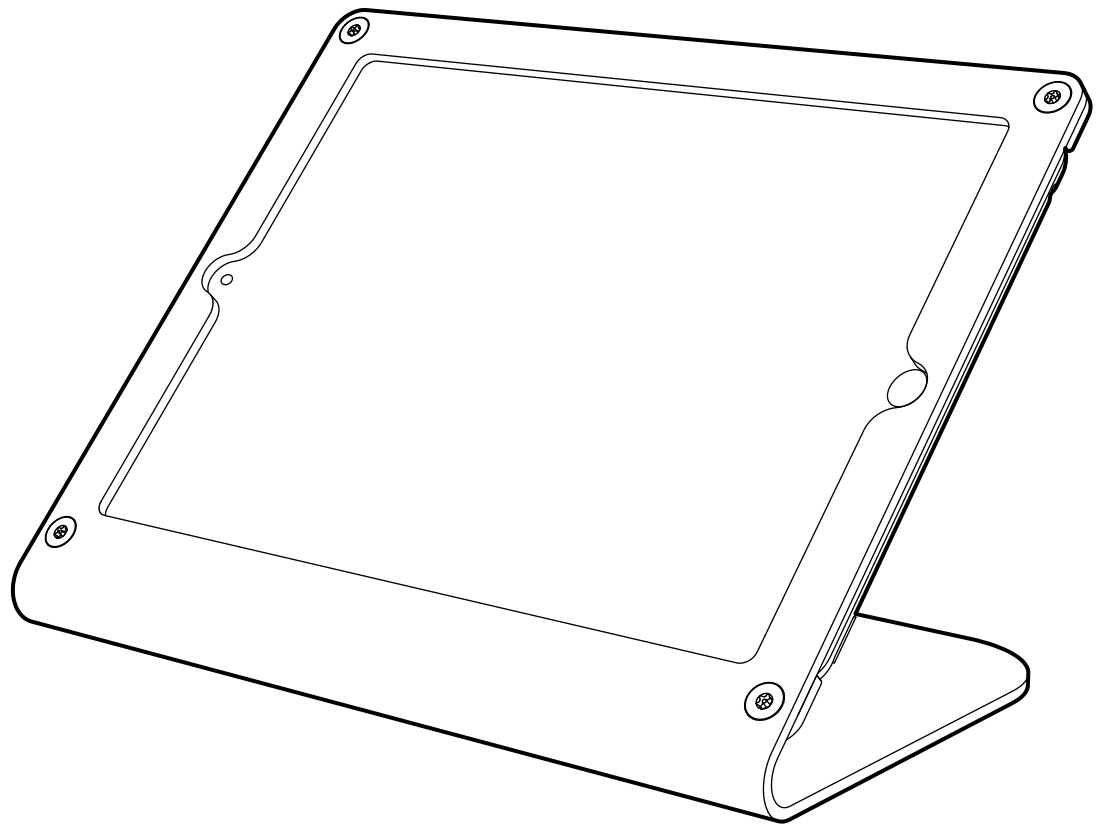


# WindFall® STAND

Secure Stand For iPad mini 1, 2, 3 & 4

---

## Assembly & Installation



### Compatible with:

iPad mini 1  
iPad mini 2  
iPad mini 3  
iPad mini 4

### Limited Warranty

Heckler Design warrants your product to be free from defect in material and workmanship for a period of two years from the original date of purchase. Electronic components are warranted to be free from defect for a period of one year from the original date of purchase. If you discover a defect, please contact [service@hecklerdesign.com](mailto:service@hecklerdesign.com). Heckler Design will repair, at our discretion, using new or refurbished components. If repair is not possible, Heckler Design will replace the item.



T10 Security  
Torx Key  
F160



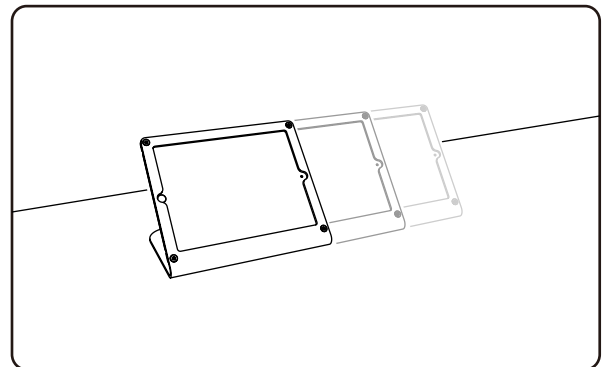
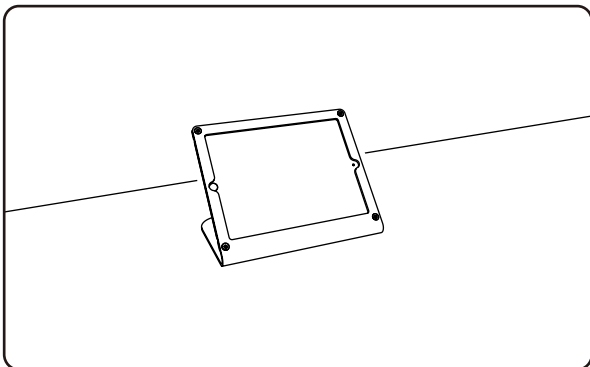
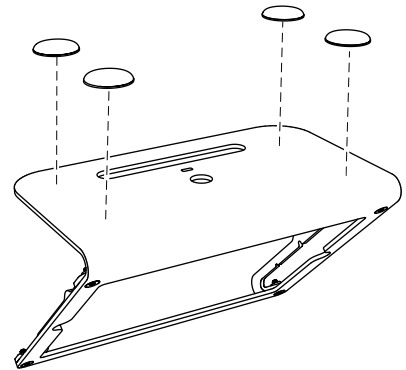
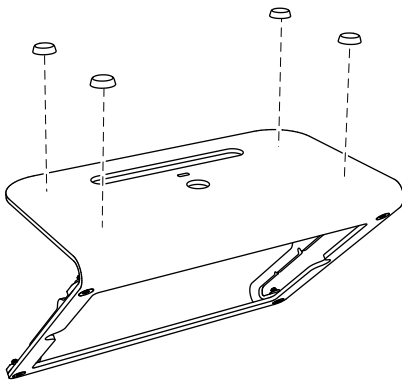
Friction Feet  
S130



Felt Feet  
F581



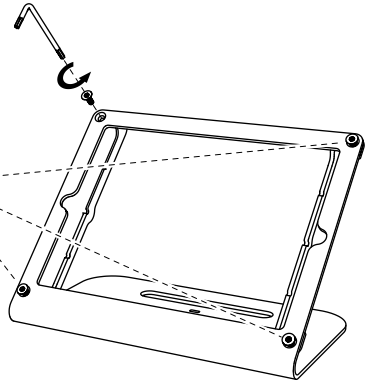
Adapter Clips for  
iPad mini 4  
E126



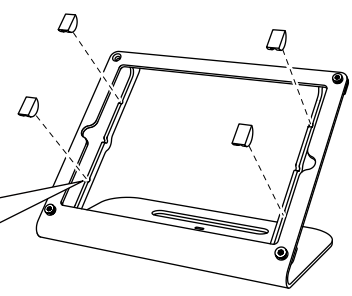
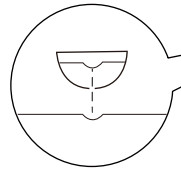
1



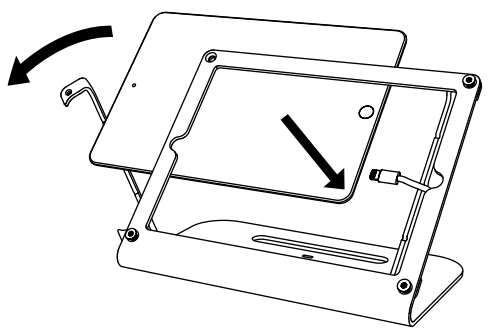
**i** Loosen, but do not remove.



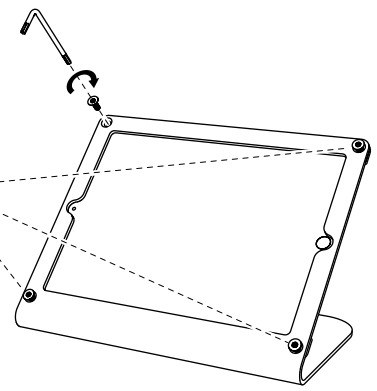
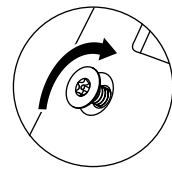
Adapter Clips For iPad Mini 4



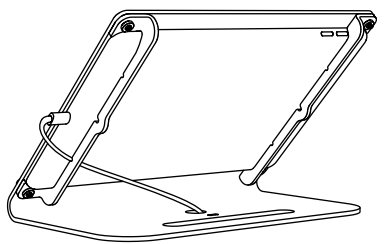
2



3

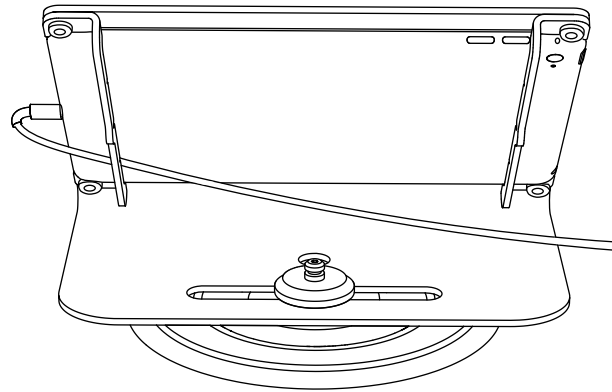
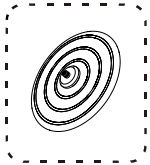


4

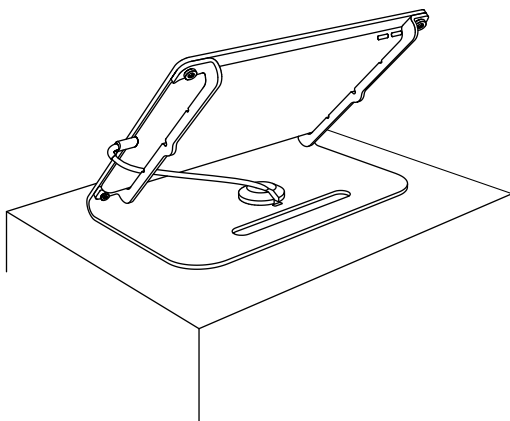
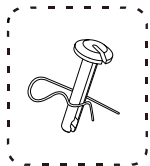


# Other Security Options

PivotTable Kit (Sold Separately)



PivotTack (Sold Separately)



Kensington ClickSafe Cable Lock (Sold Separately)

