

# WindFall®

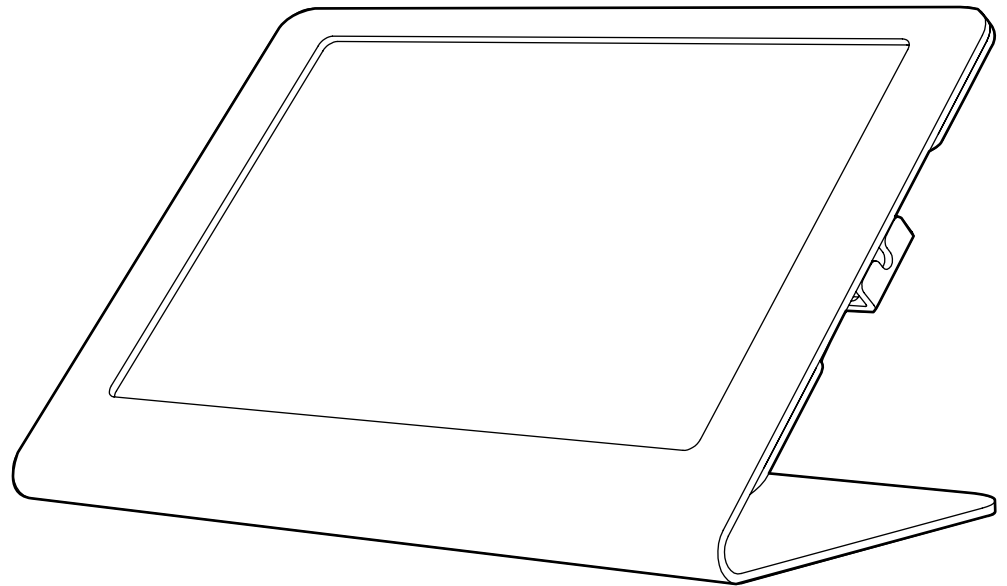
# STAND



Secure Stand for Galaxy Tab A 10.1 (2019 Version)

---

Assembly & Installation



Compatible with:

Galaxy Tab A 10.1 (2019 Version)

Limited Warranty

Heckler Design warrants your product to be free from defect in material and workmanship for a period of two years from the original date of purchase. Electronic components are warranted to be free from defect for a period of one year from the original date of purchase. If you discover a defect, please contact [service@hecklerdesign.com](mailto:service@hecklerdesign.com). Heckler Design will repair, at our discretion, using new or refurbished components. If repair is not possible, Heckler Design will replace the item.

H588X

1x



F529

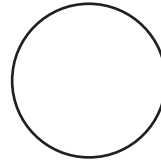


Assembly Tool

4x



F581

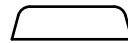


Felt Feet

4x



S130



Friction Feet

1x



F646



Security Assembly Tool



Keep your special assembly tool in a safe place. To purchase a replacement, please contact [service@hecklerdesign.com](mailto:service@hecklerdesign.com).

4x

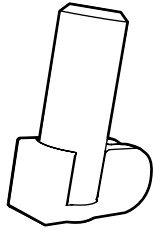


F645

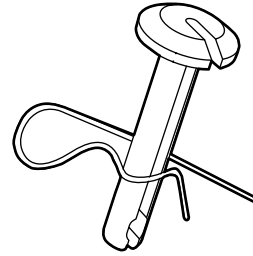


Security Screws

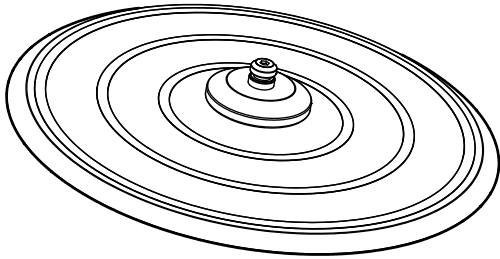
**Optional:**  
**Kensington NanoSaver**  
**Keyed Laptop Lock**  
(sold seperately)



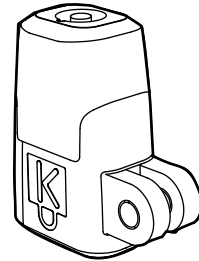
**Optional:**  
**PivotTack** (sold seperately)



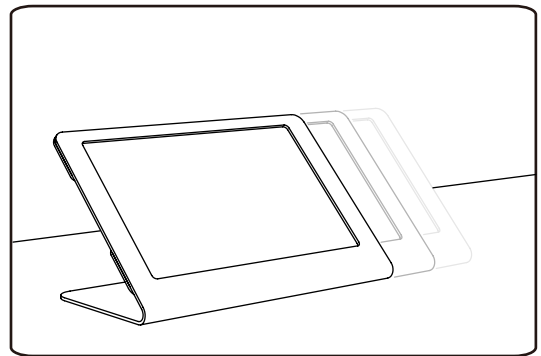
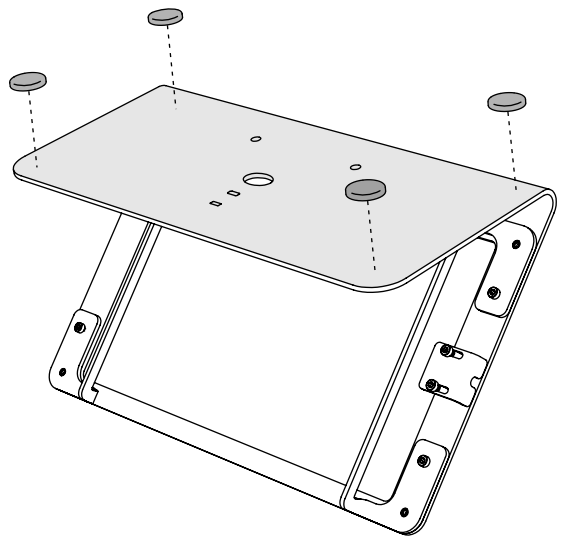
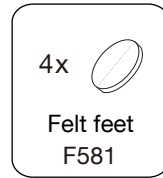
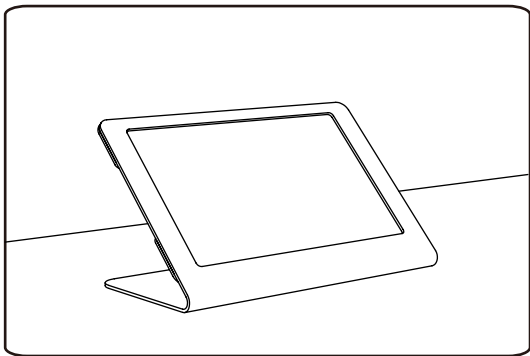
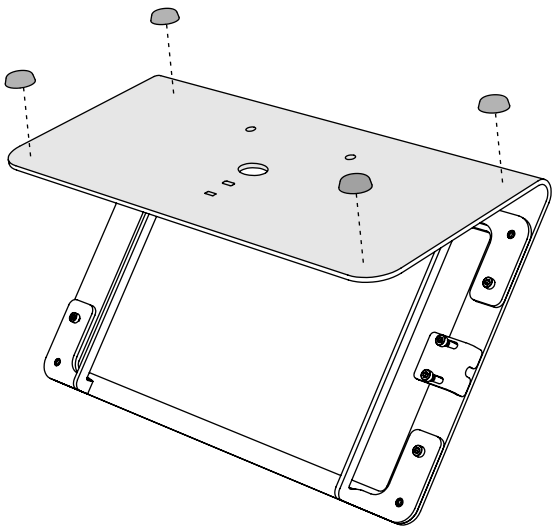
**Optional:**  
**PivotTable** (sold seperately)



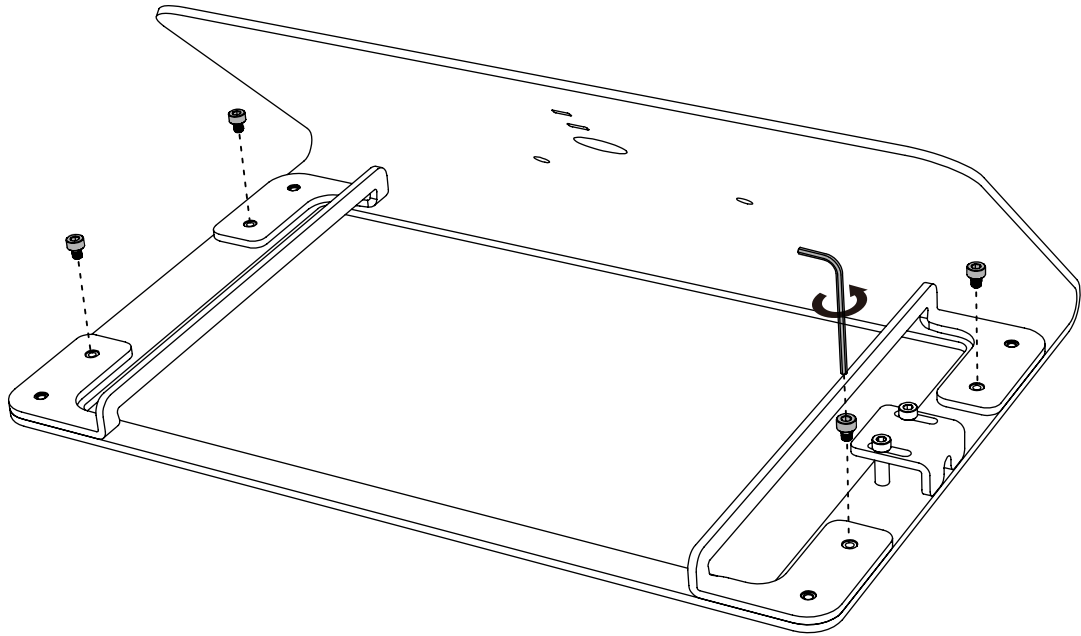
**Optional:**  
**Kensington ClickSafe Cable Lock**  
(sold seperately)



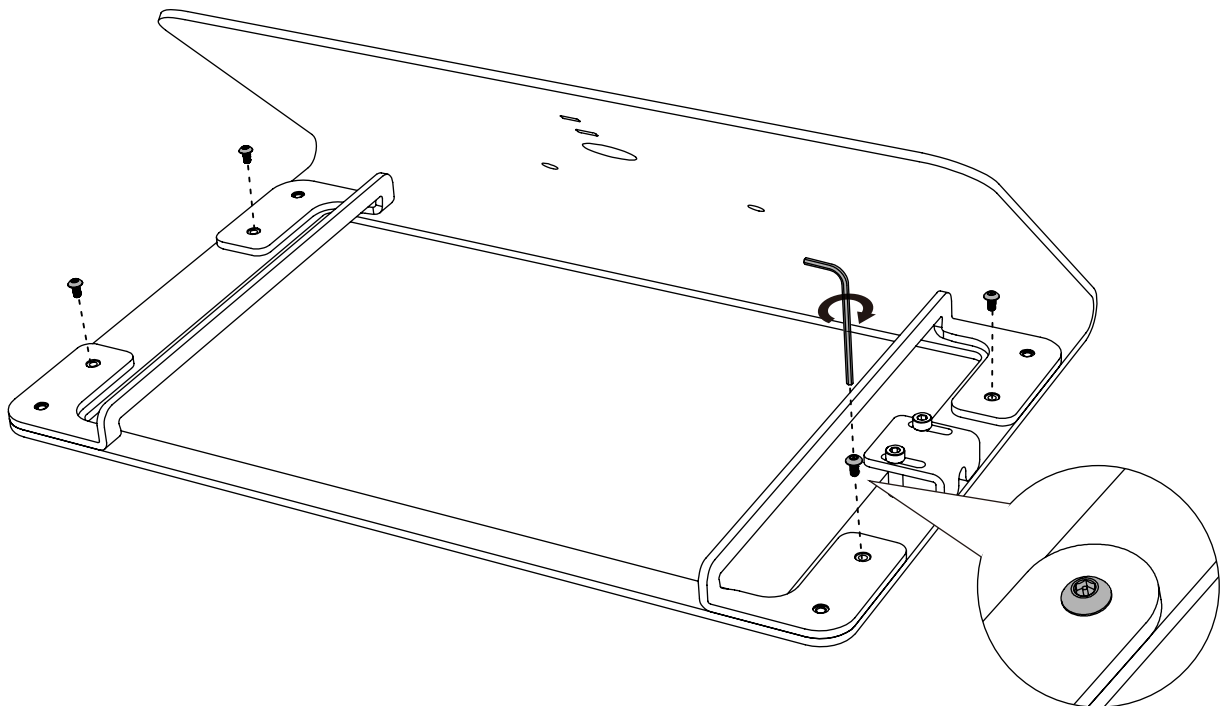
# 1 Select then install feet



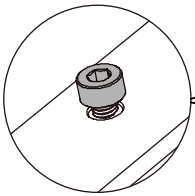
## Option: Remove original screws



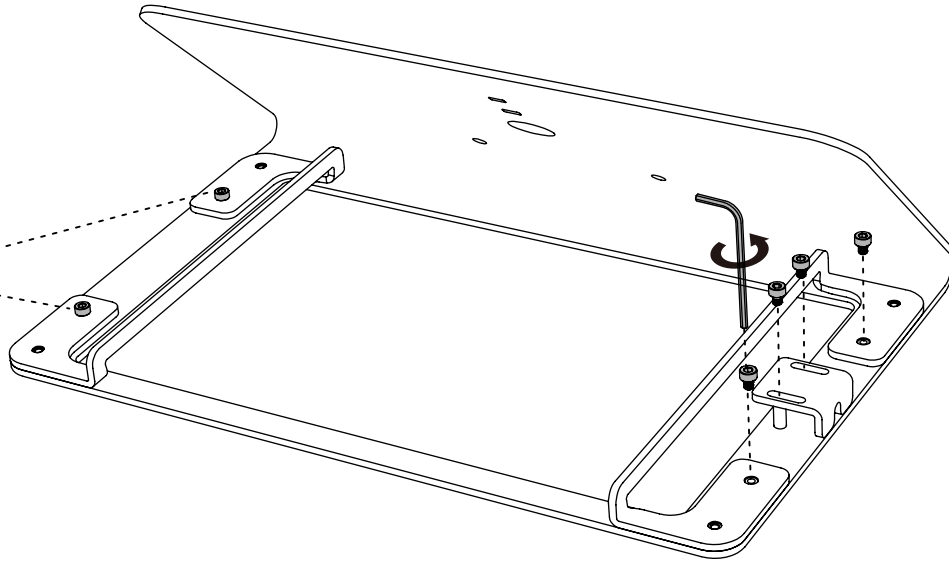
## Install security screws



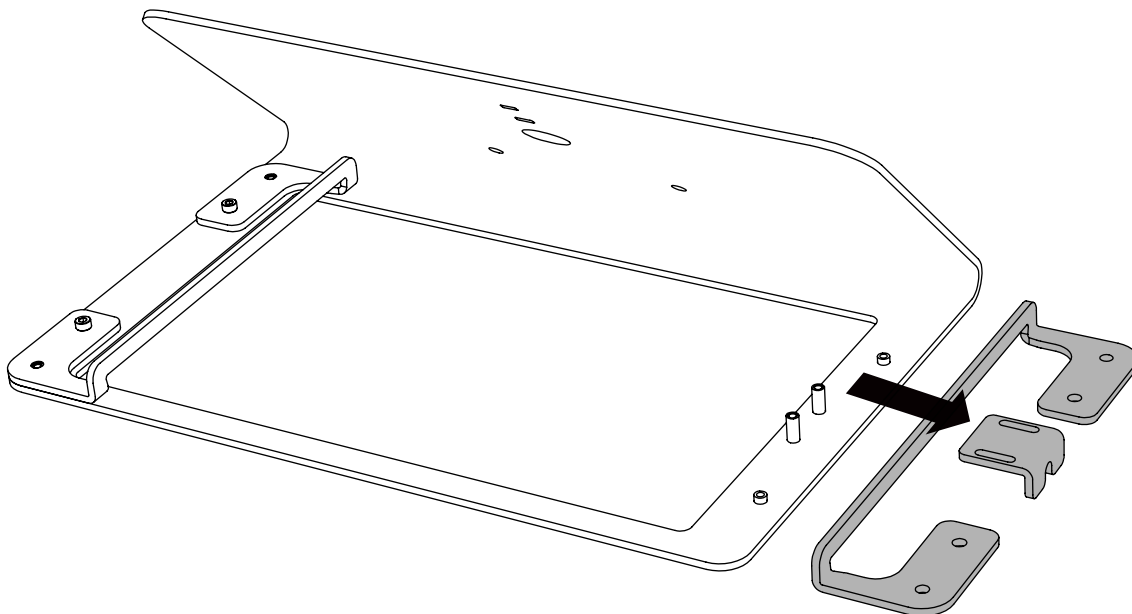
## 2 Loosen and remove screws



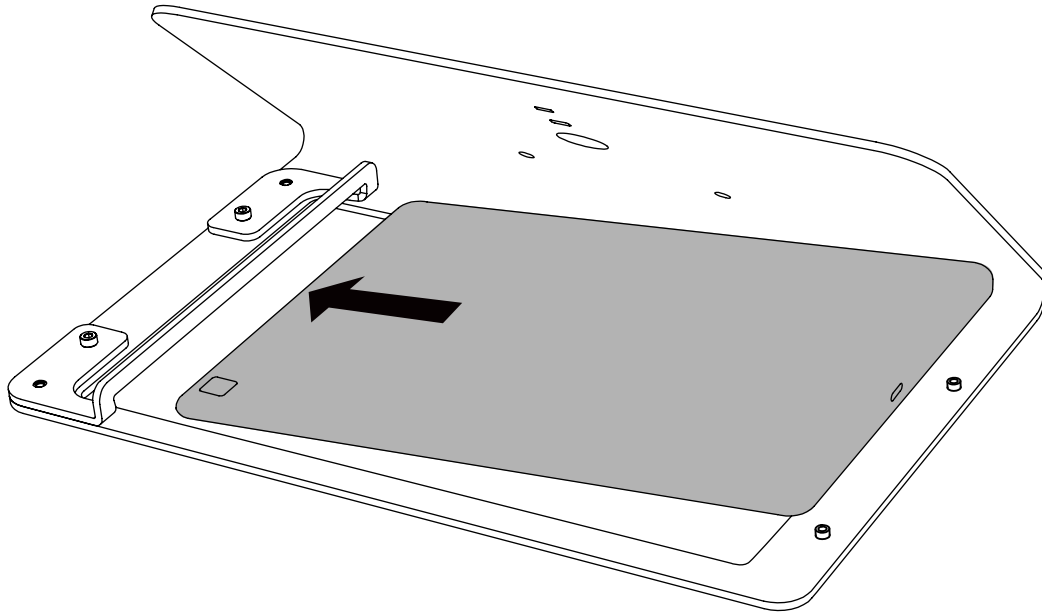
**i** Loosen, but do not remove.



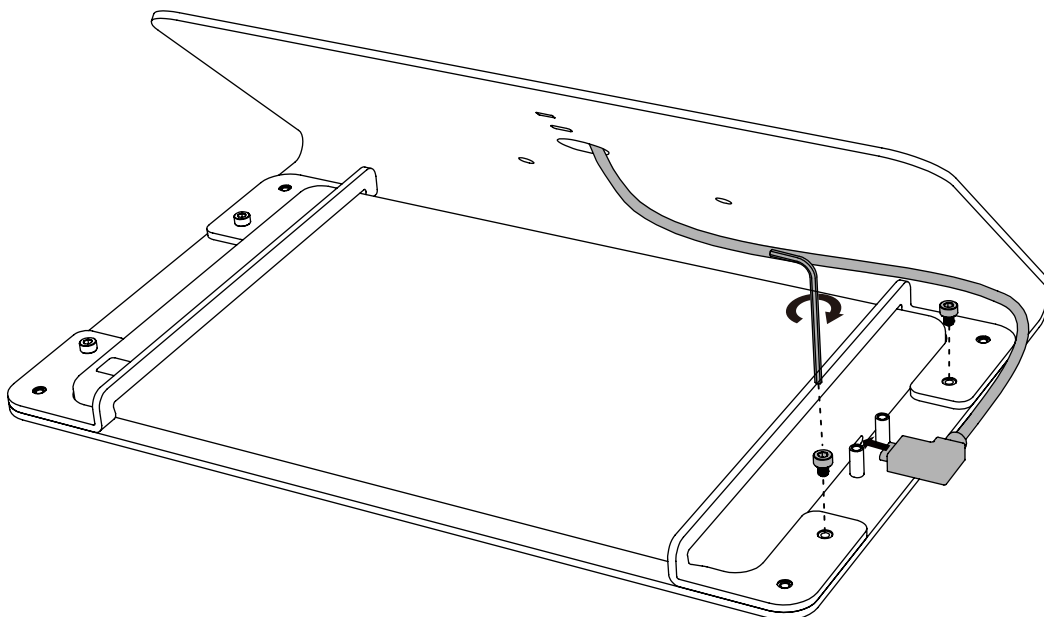
## 3 Remove right-hand tablet bracket and cord securer



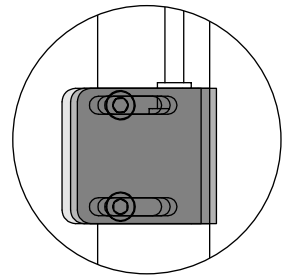
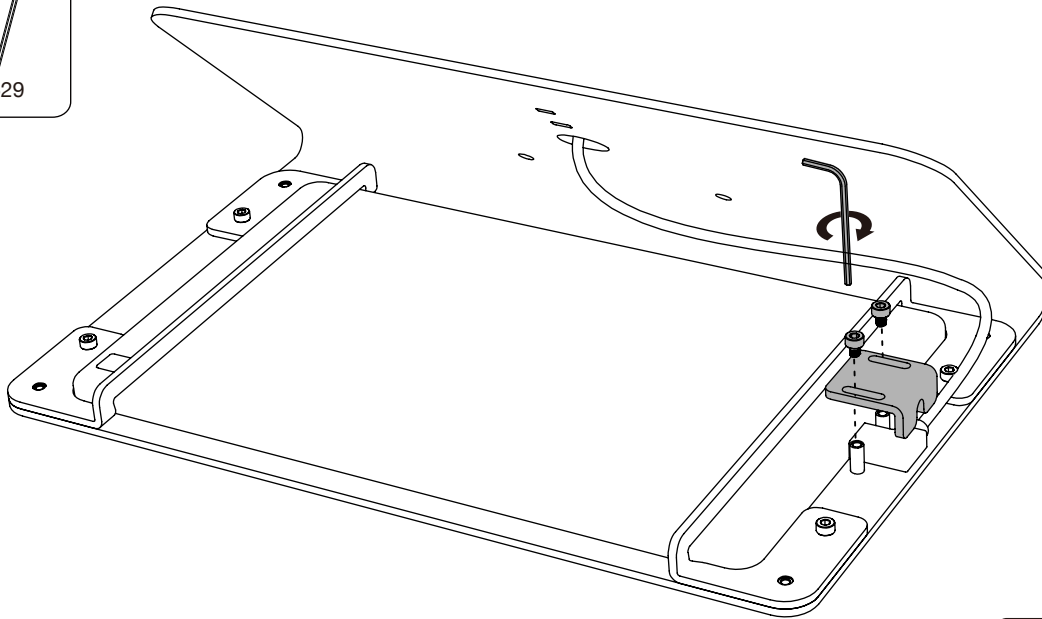
## 4 Install the Galaxy Tab A 10.1




## 5 Route your USB-C cable and reinstall right-hand tablet bracket

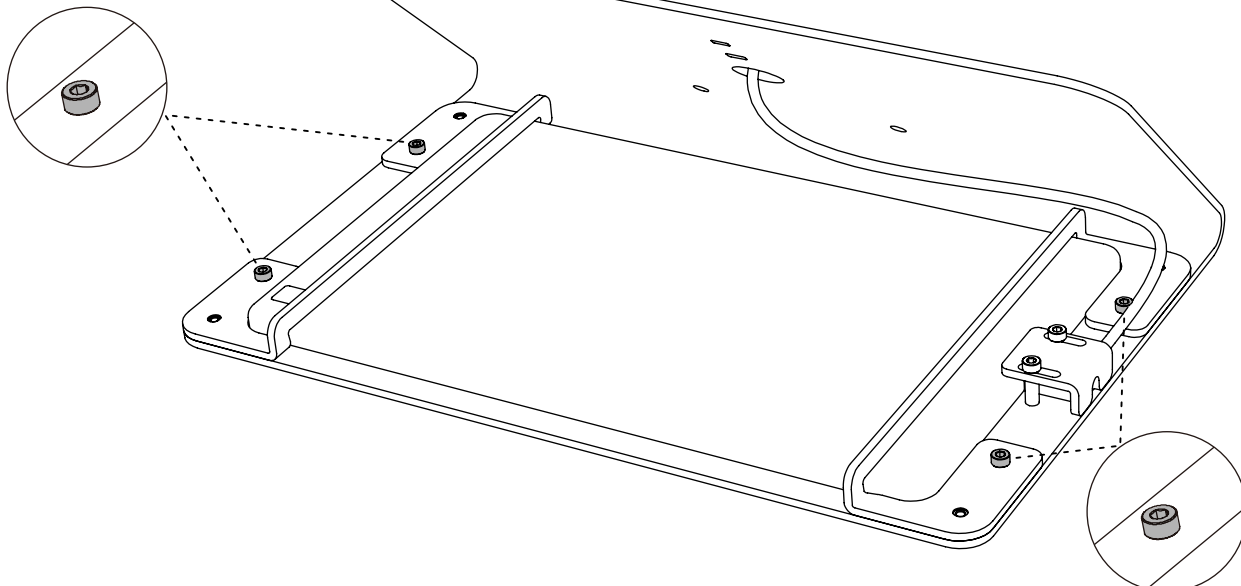


## 5 Fasten cord securer

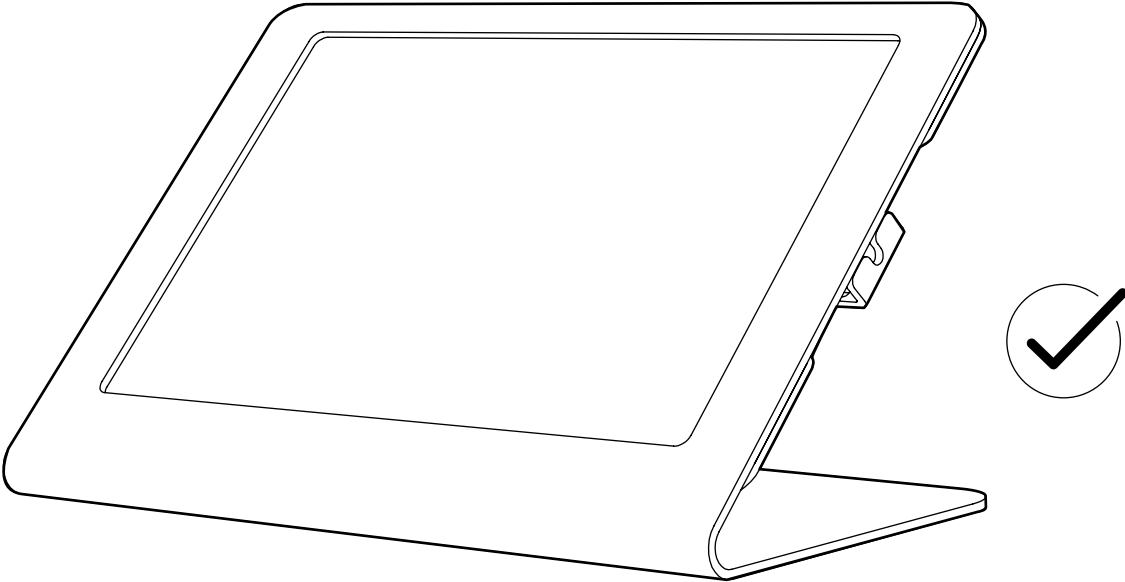


 Adjust cord securer snug to your cable

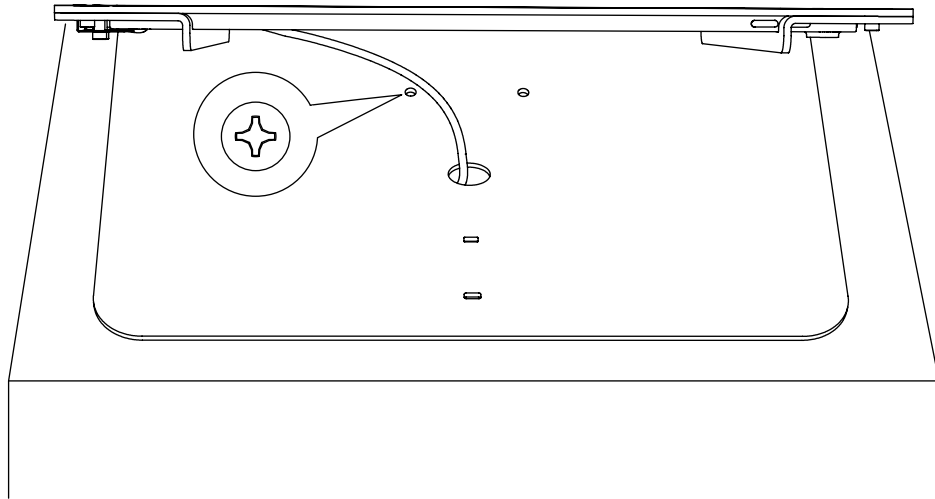
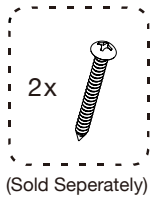
## 6 Tighten all screws



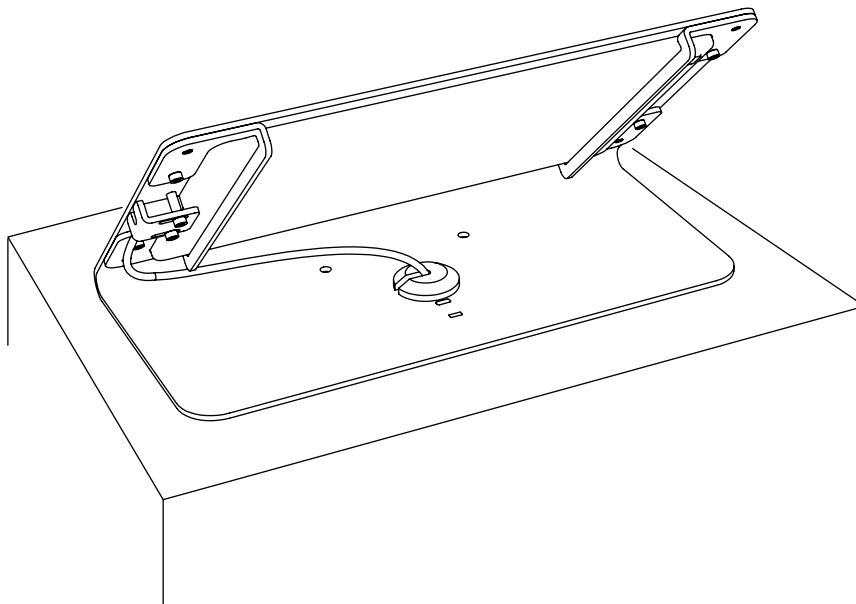
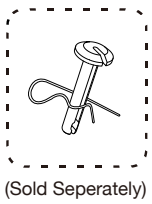
**7 Done**



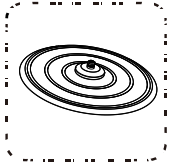
## Counter Mounting



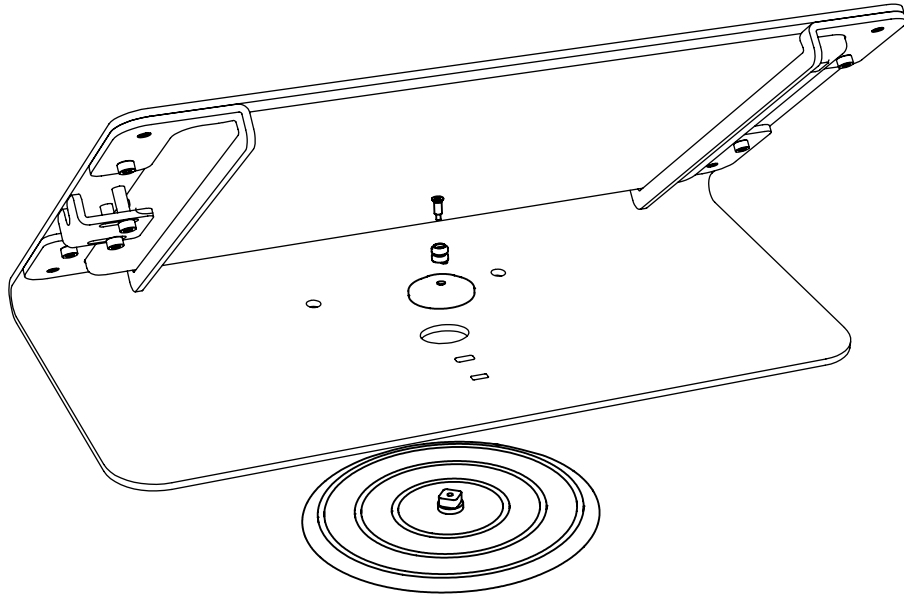
## PivotTack



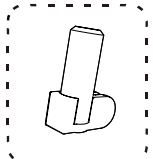
## PivotTable



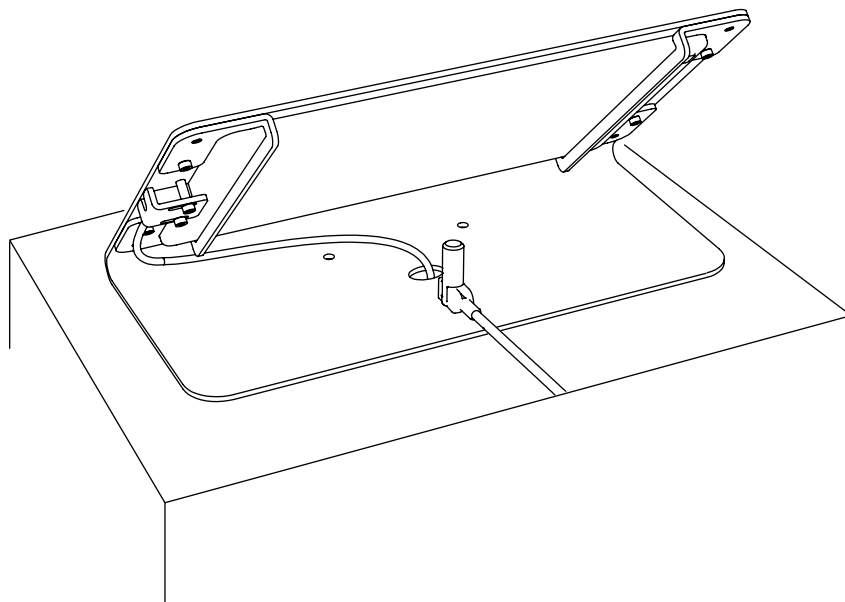
(Sold Separately)



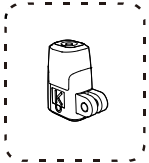
## Kensington Nano ClickSafe Cable Lock



(Sold Separately)



# Kensington ClickSafe Cable Lock



(Sold Separately)

