

WindFall®

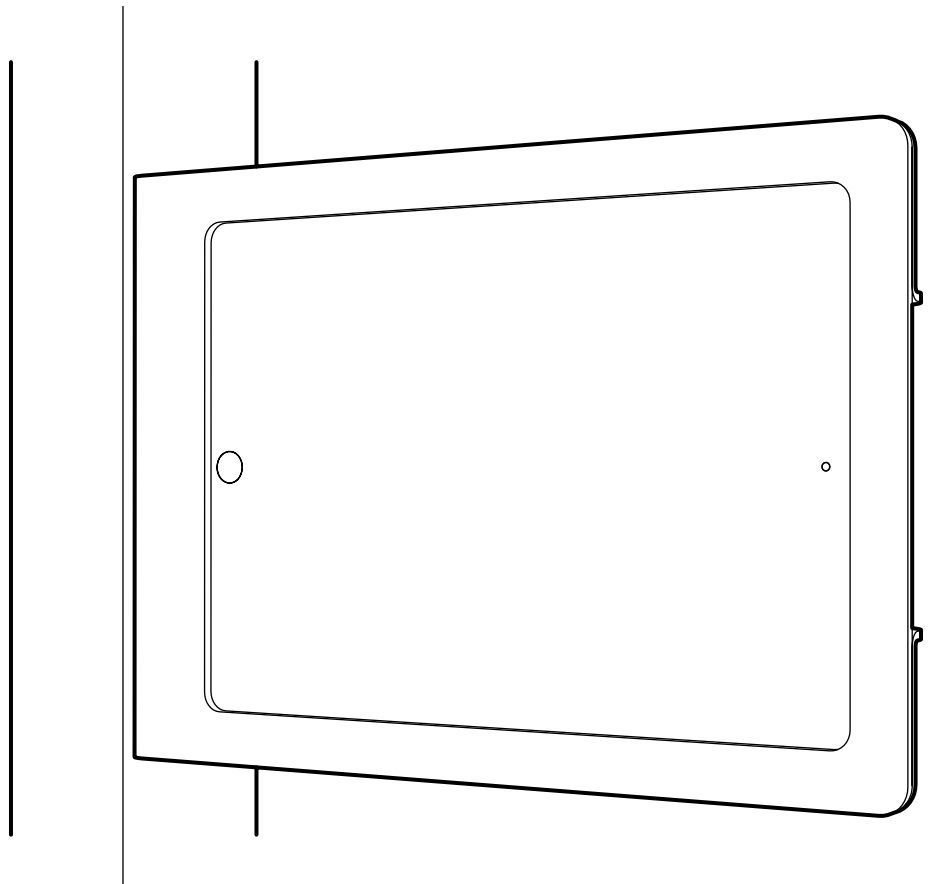
SIDE MOUNT



Hecklerdesign

Room Scheduling Enclosure for iPad Air

Assembly & Installation

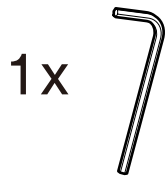


Compatible with:

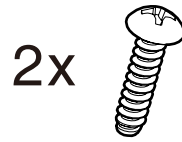
iPad Air 1
iPad Air 2
iPad Pro 9.7-inch
iPad (5th Gen)

Limited Warranty

Heckler Design warrants your product to be free from defect in material and workmanship for a period of two years from the original date of purchase. Electronic components are warranted to be free from defect for a period of one year from the original date of purchase. If you discover a defect, please contact service@hecklerdesign.com. Heckler Design will repair, at our discretion, using new or refurbished components. If repair is not possible, Heckler Design will replace the item.



M3 Hex Key
F529



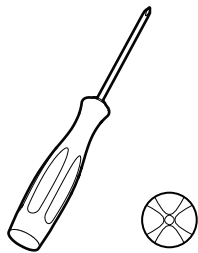
Thread-Forming
Mounting Screw
F486



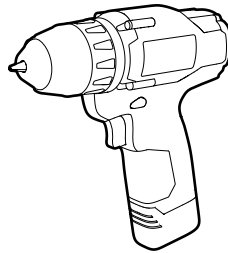
Foam for iPad Fit
Adapter Clip
E250



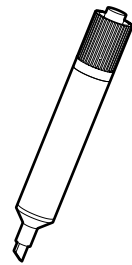
Keep your **special** assembly tool in a safe place. To purchase a replacement, please contact service@hecklerdesign.com.



Phillips Head
Screwdriver



Drill



Marker

WindFall Side Mount for iPad

Installation Instructions and Template

Important Note:

A minimum 1.5 inch (38mm) set back from mullion face to the glass is required for an optimal installation in which the front face of the enclosure is flush with the front face of the mullion.

ADA Compliance Guideline

For ADA compliance, the center of the Ethernet cable hole should be no higher than 45 inches above the ground.

Creating The Ethernet Cable Hole

If your Ethernet cable has an RJ45 connector installed, drill a 5/8 inch hole in the position shown.

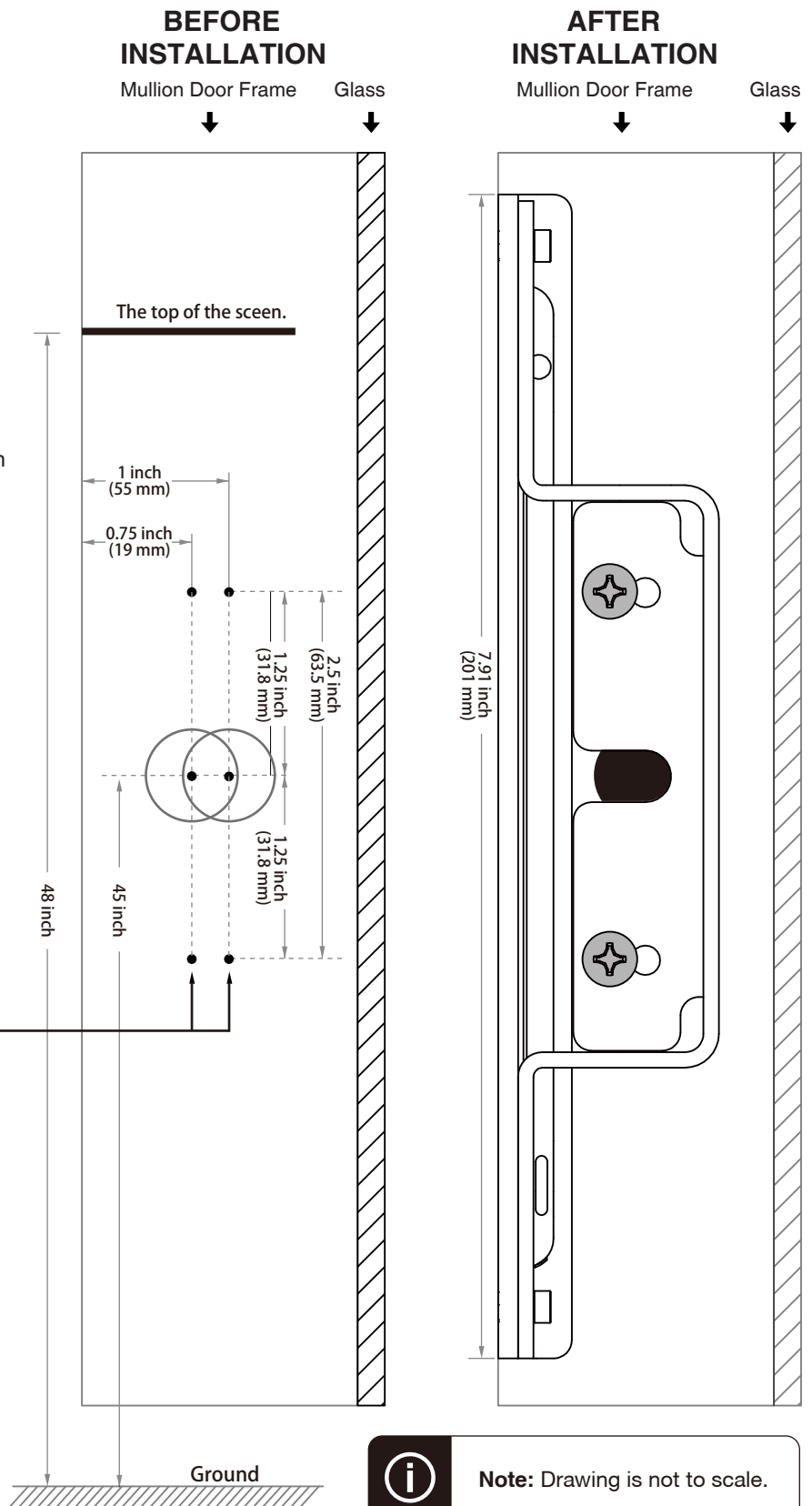
If you will install an RJ45 connector after the Ethernet cable is drawn through the mullion, a smaller hole can be created.

Selecting Your Mounting Screw Positions

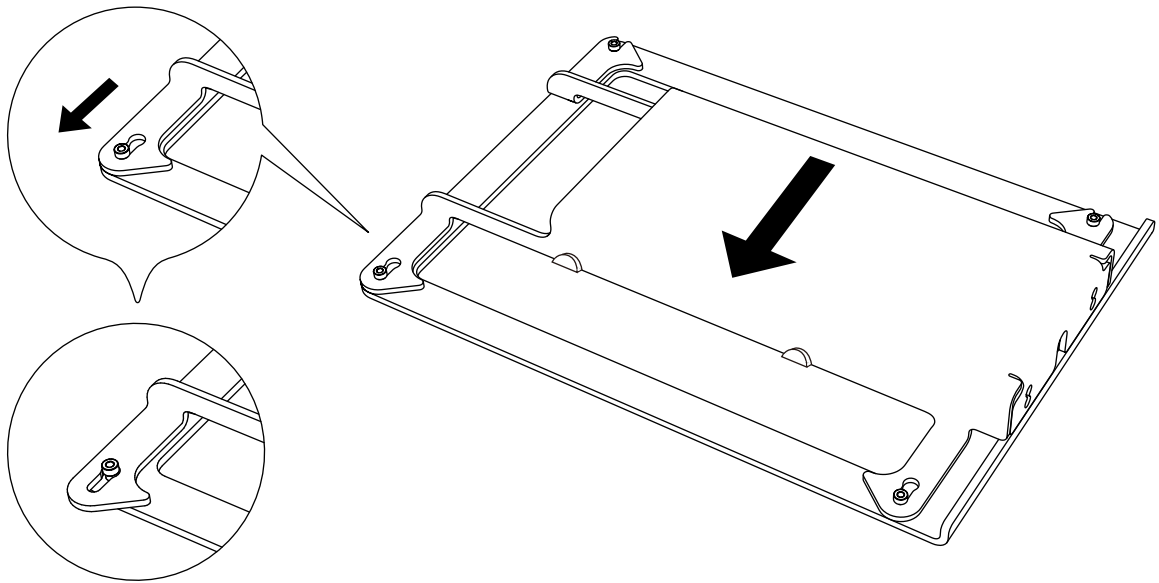
To accommodate various mullion styles, multiple screw hole positions are available. Please select the mounting positions that work best for your mullion.

You may use any screw you see fit for mounting the product to the mullion.

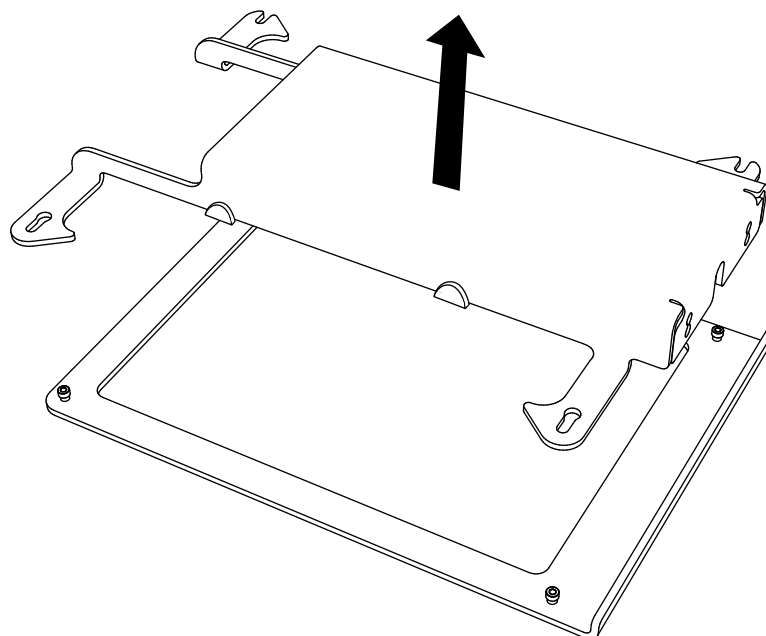
If you choose to use the self-tapping mounting screws provided, we recommend drilling a pilot hole with a #17 drill bit or a 5/32-inch drill bit.



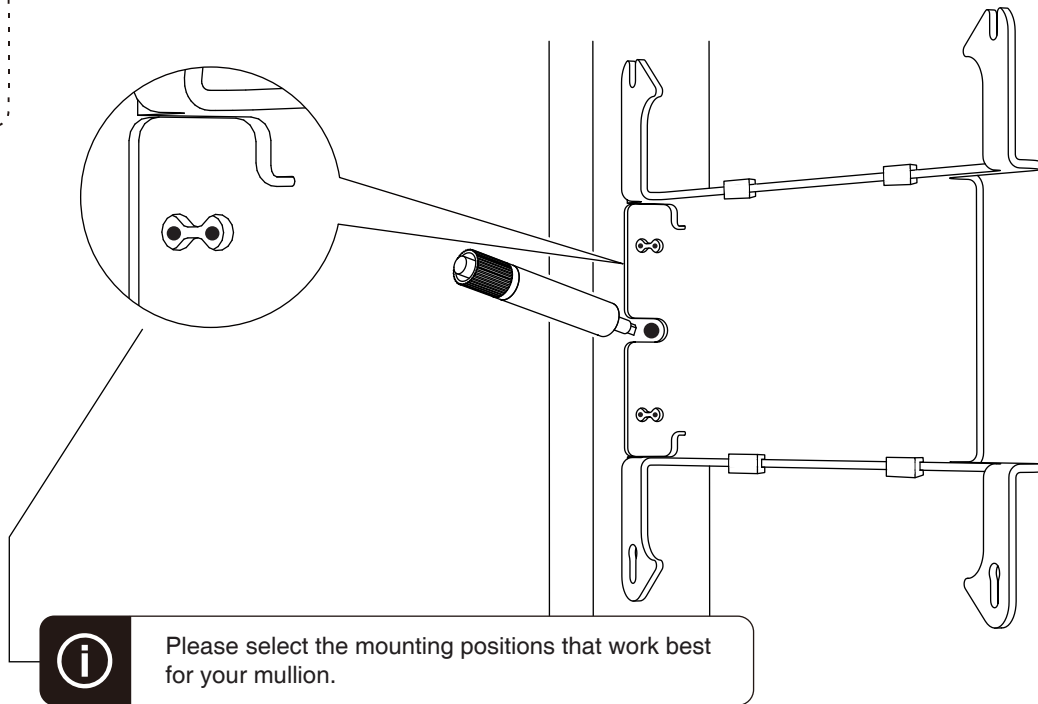
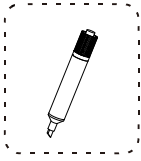
1 Disassemble Side Mount



2 Remove Mounting Bracket From Front Bezel

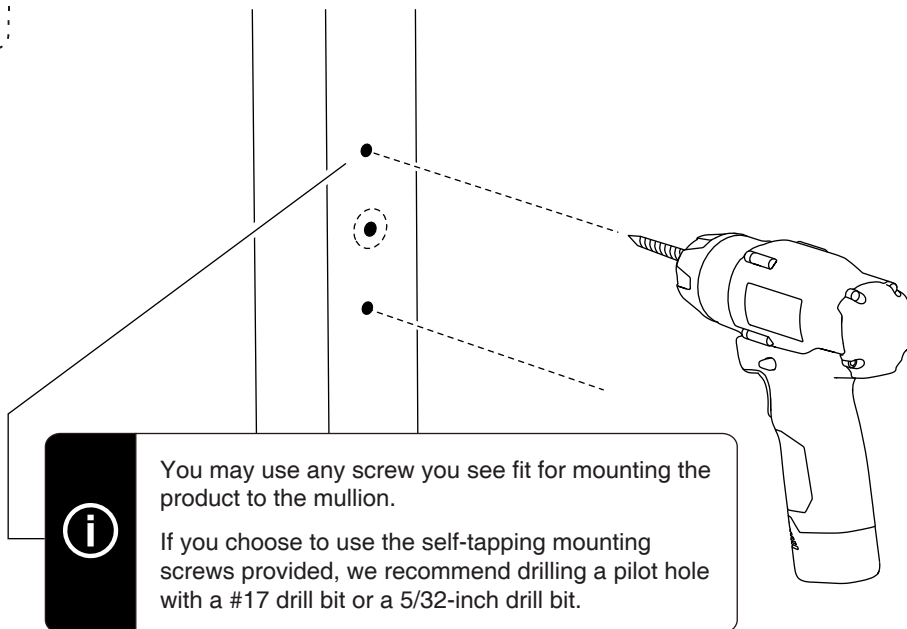
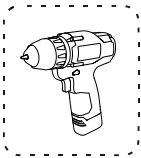


3 Mark Hole Positions



Please select the mounting positions that work best for your mullion.

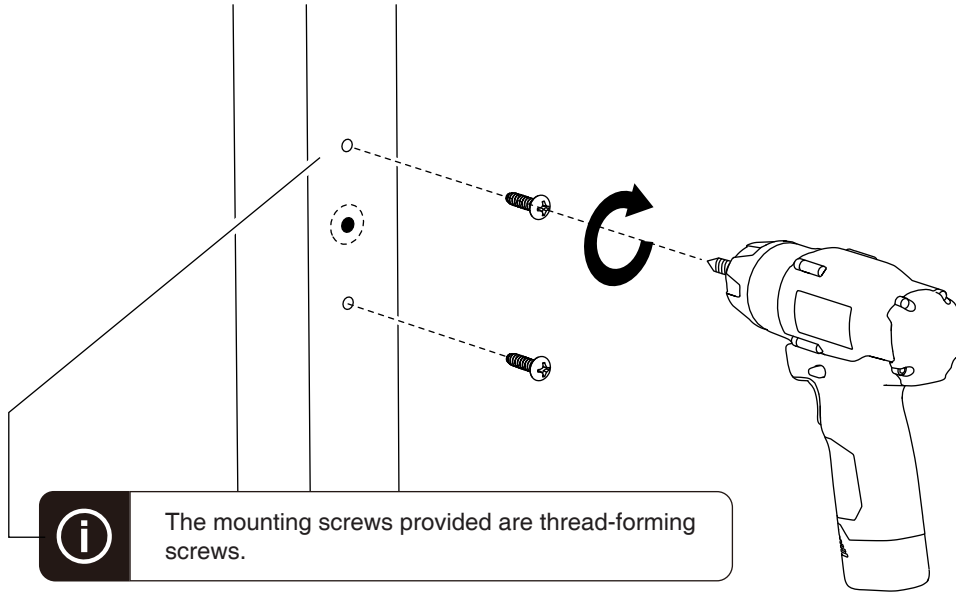
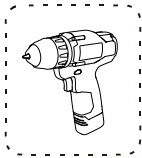
4 Drill Mounting Holes



You may use any screw you see fit for mounting the product to the mullion.

If you choose to use the self-tapping mounting screws provided, we recommend drilling a pilot hole with a #17 drill bit or a 5/32-inch drill bit.

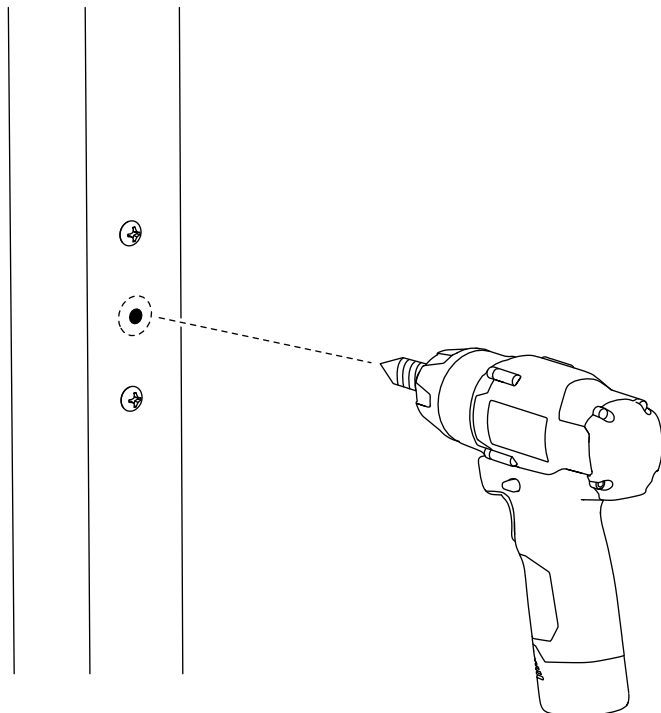
5 Form Mounting Hole Threads



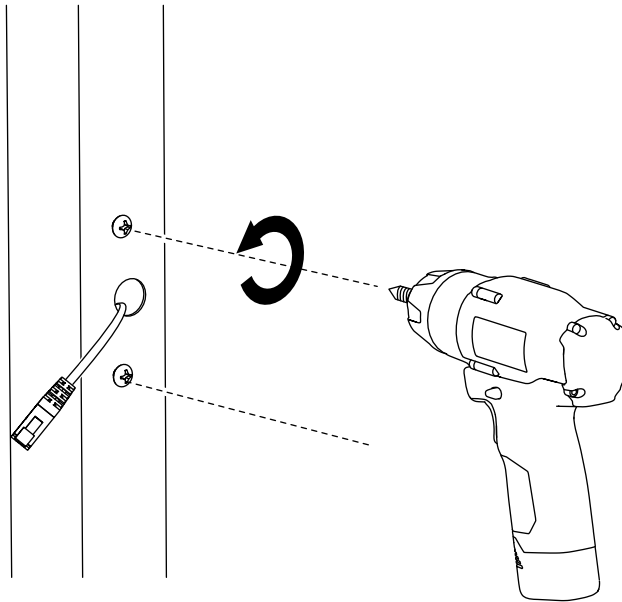
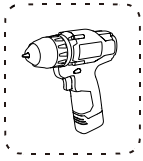
Ethernet Cable Hole

If your Ethernet cable has an RJ45 connector installed, drill a 5/8 inch hole in the position shown.

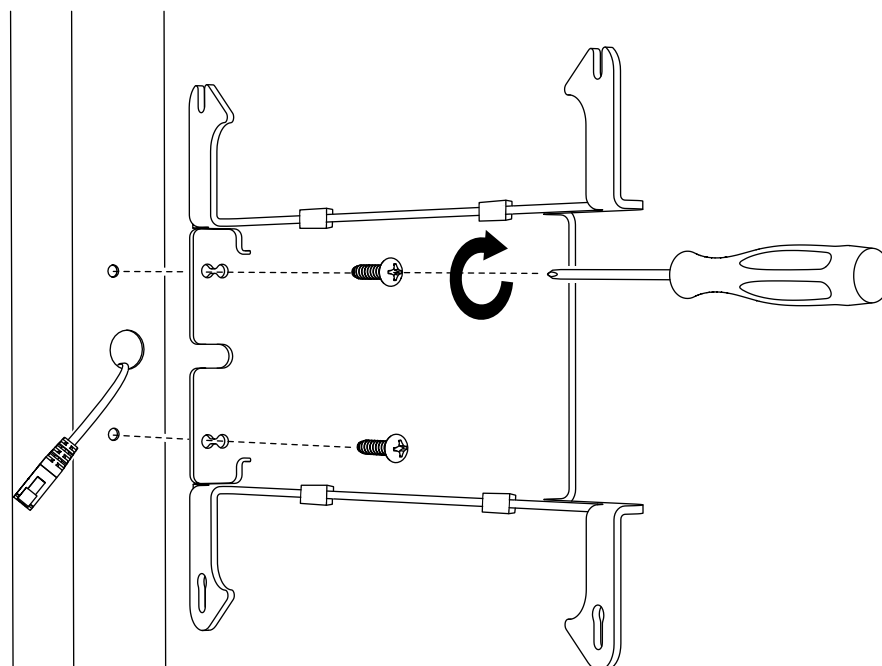
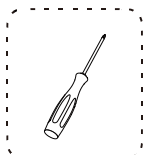
If you will install an RJ45 connector after the Ethernet cable is drawn through the mullion, a smaller hole can be created.



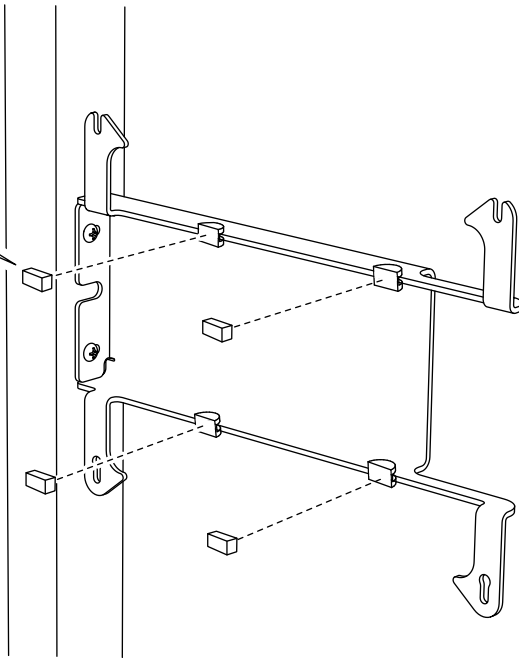
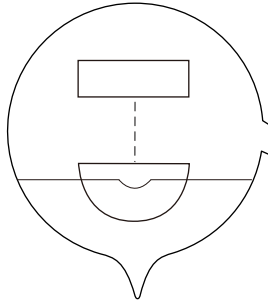
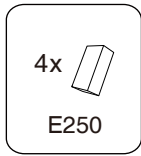
6 Remove Mounting Screws



7 Fasten Mounting Bracket to mullion

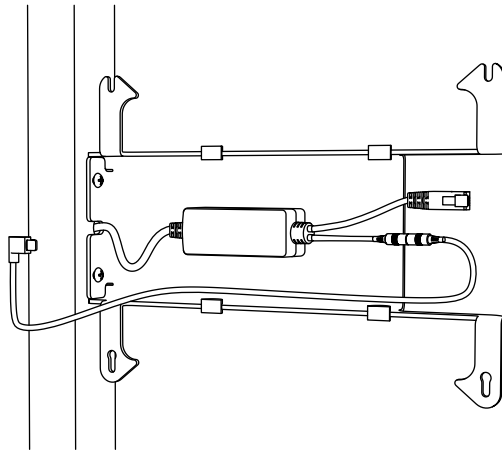


Adapter Clips For iPad Pro 9.7-inch and iPad Air 2

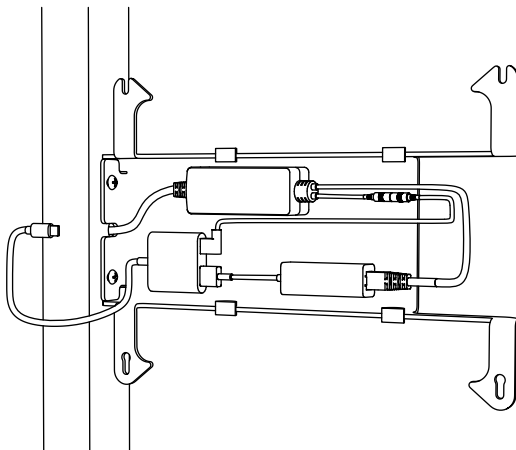


8 Charging Options

PoE Splitter (Power Only)

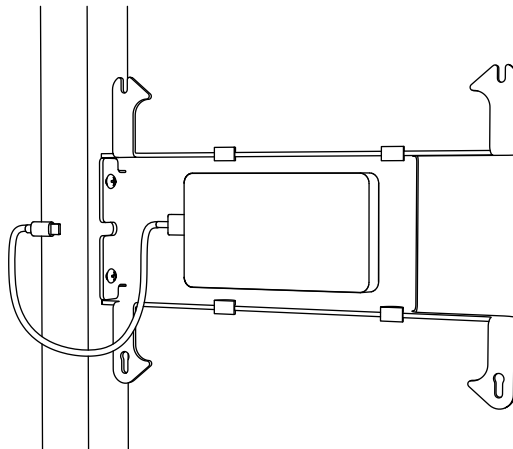


PoE Splitter (With wired data connection)

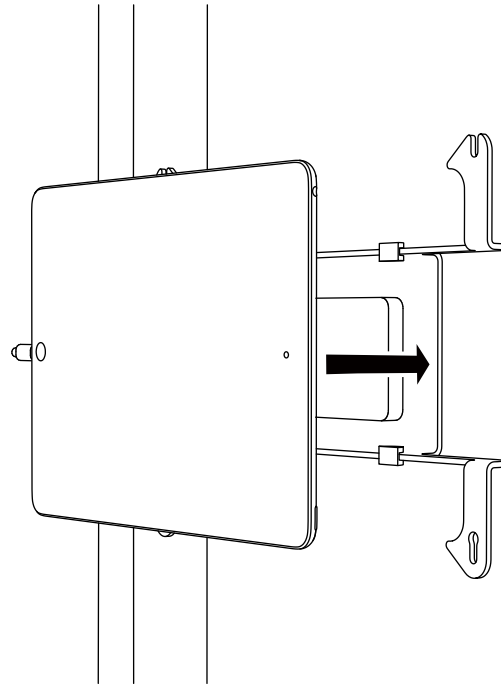


1. Apple Lightning to USB 3 Camera Adapter
2. Apple USB Ethernet Adapter

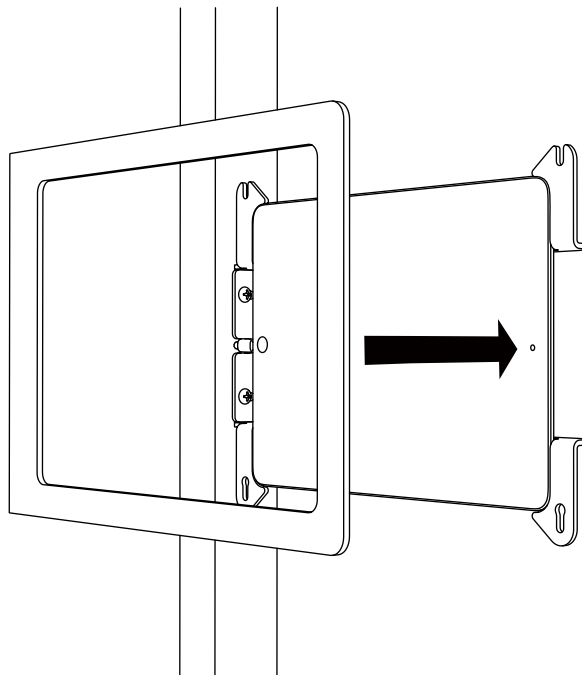
Battery Bank



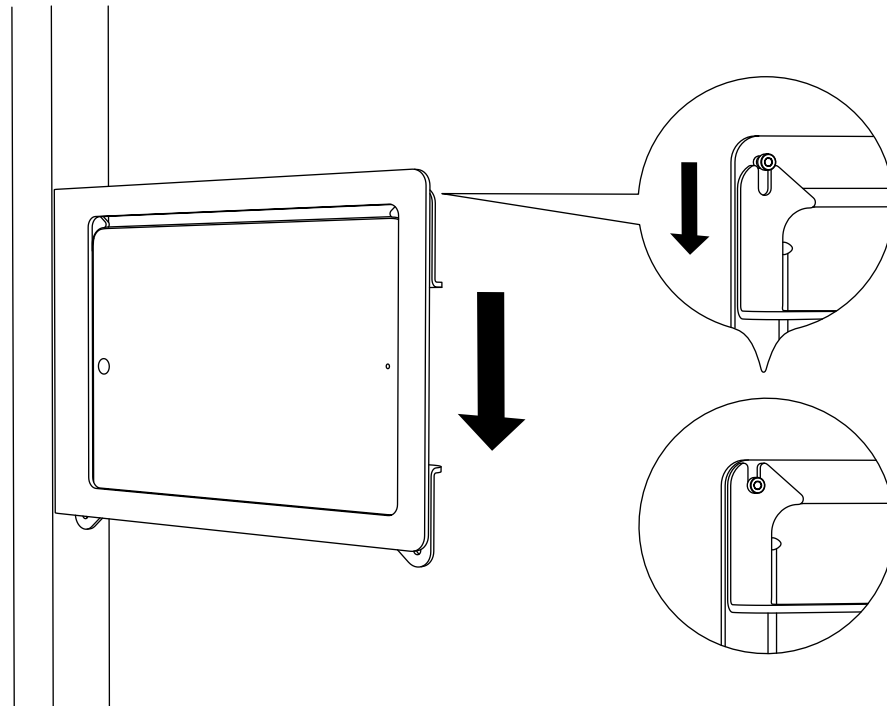
9 Install Tablet



10 Install Front Bezel



11 Slide Front Bezel Onto Mounting Bracket



12 Tighten Assembly Screws

