

WindFall®

PRIME



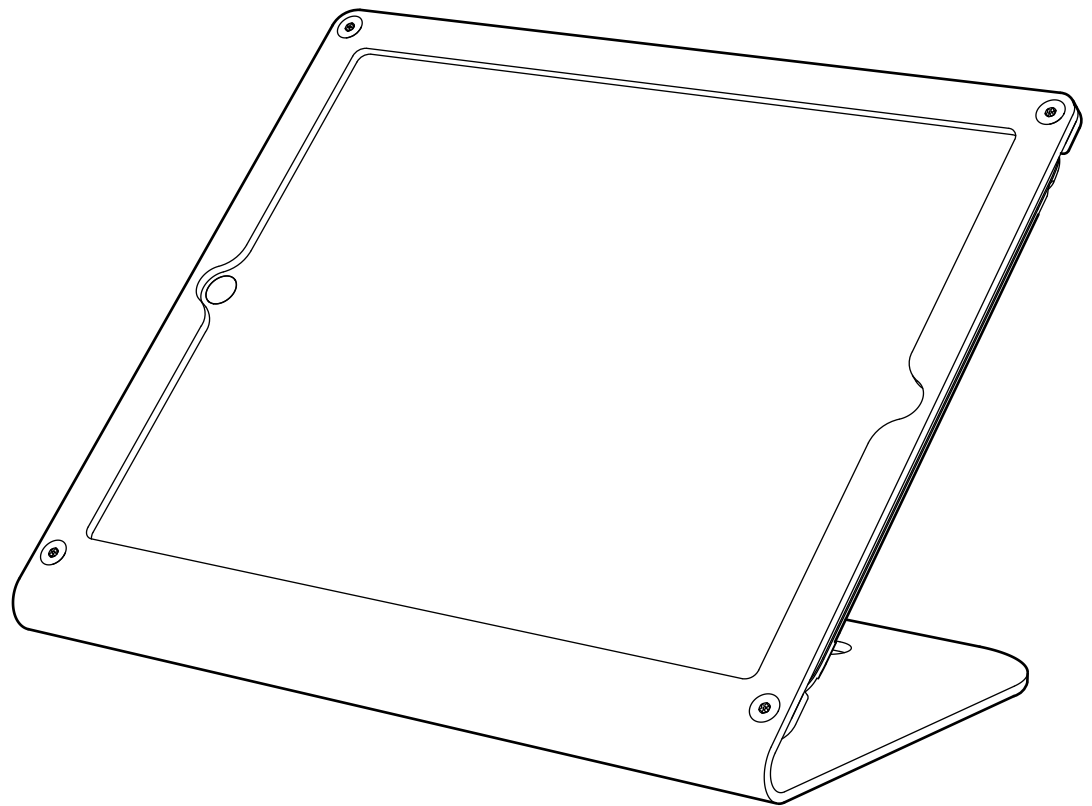
Hecklerdesign

# STAND

Secure stand for iPad

---

Assembly & Installation



Compatible with:

iPad Air 1  
iPad Air 2  
iPad Pro 9.7-inch  
iPad (5th Gen)  
iPad (6th Gen)

Limited Warranty

Heckler Design warrants your product to be free from defect in material and workmanship for a period of two years from the original date of purchase. Electronic components are warranted to be free from defect for a period of one year from the original date of purchase. If you discover a defect, please contact [service@hecklerdesign.com](mailto:service@hecklerdesign.com). Heckler Design will repair, at our discretion, using new or refurbished components. If repair is not possible, Heckler Design will replace the item.

H458X


1x



F160



Torx assembly tool

 Keep your special assembly tool in a safe place. To purchase a replacement, please visit the online store.

4x



E126

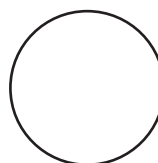


Adapter Clips

4x



S130

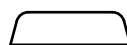


Felt Feet

4x

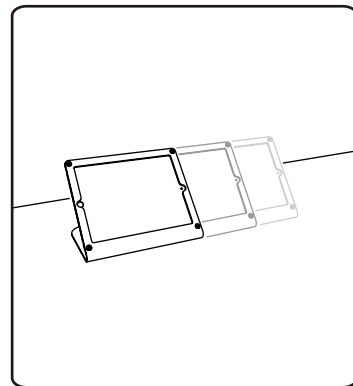
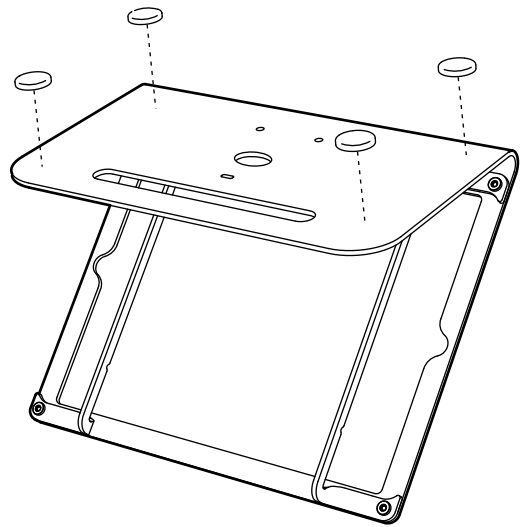
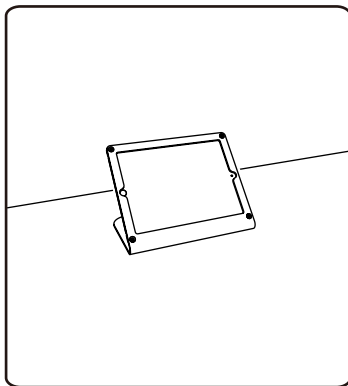
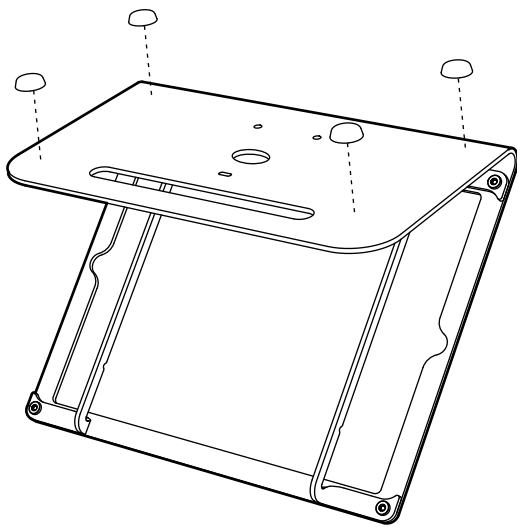


F581

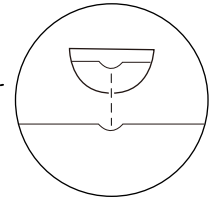
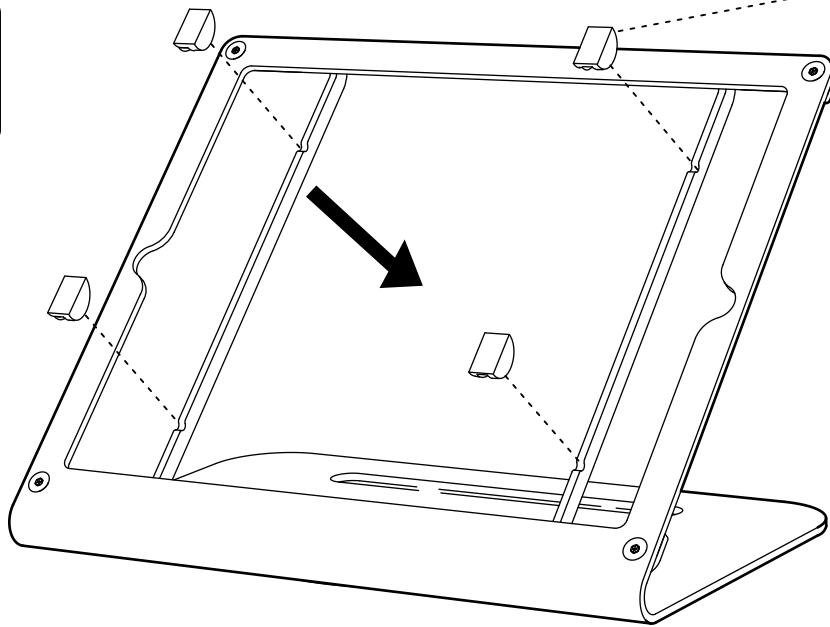
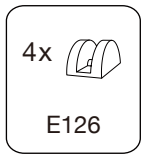


Friction Feet

# 1 Choose & install appropriate feet

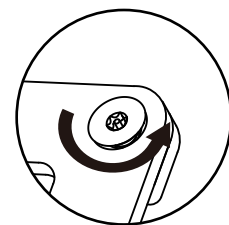
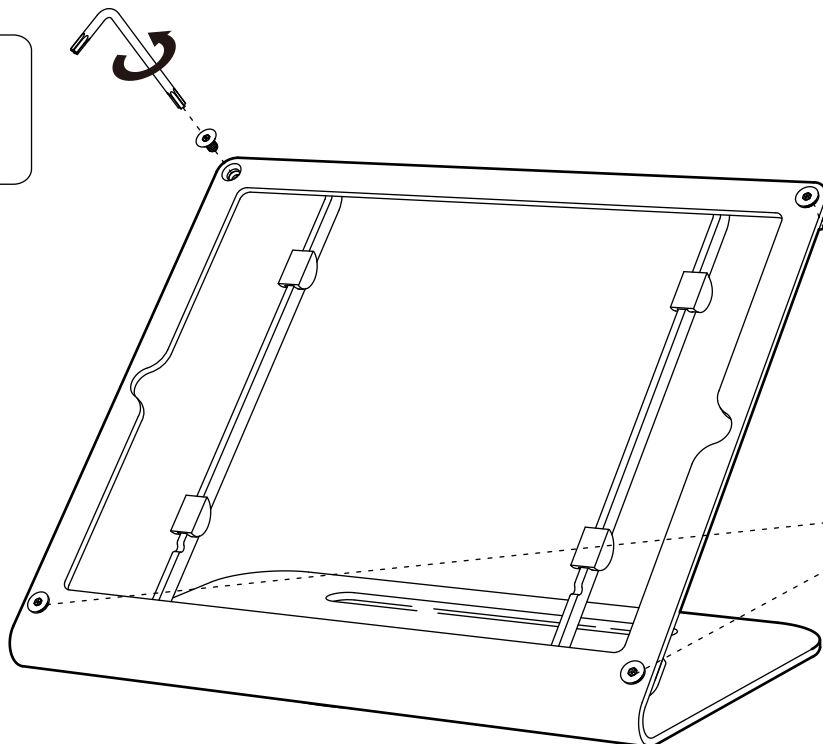


## 2 Install adapter clips



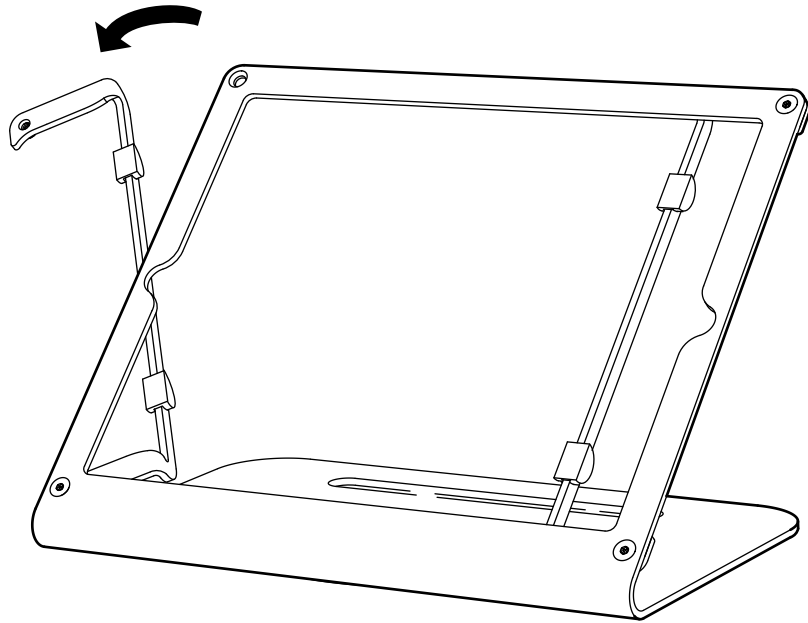
**i** Use with: iPad Air 2  
iPad Pro 9.7-inch

## 3 Loosen screws

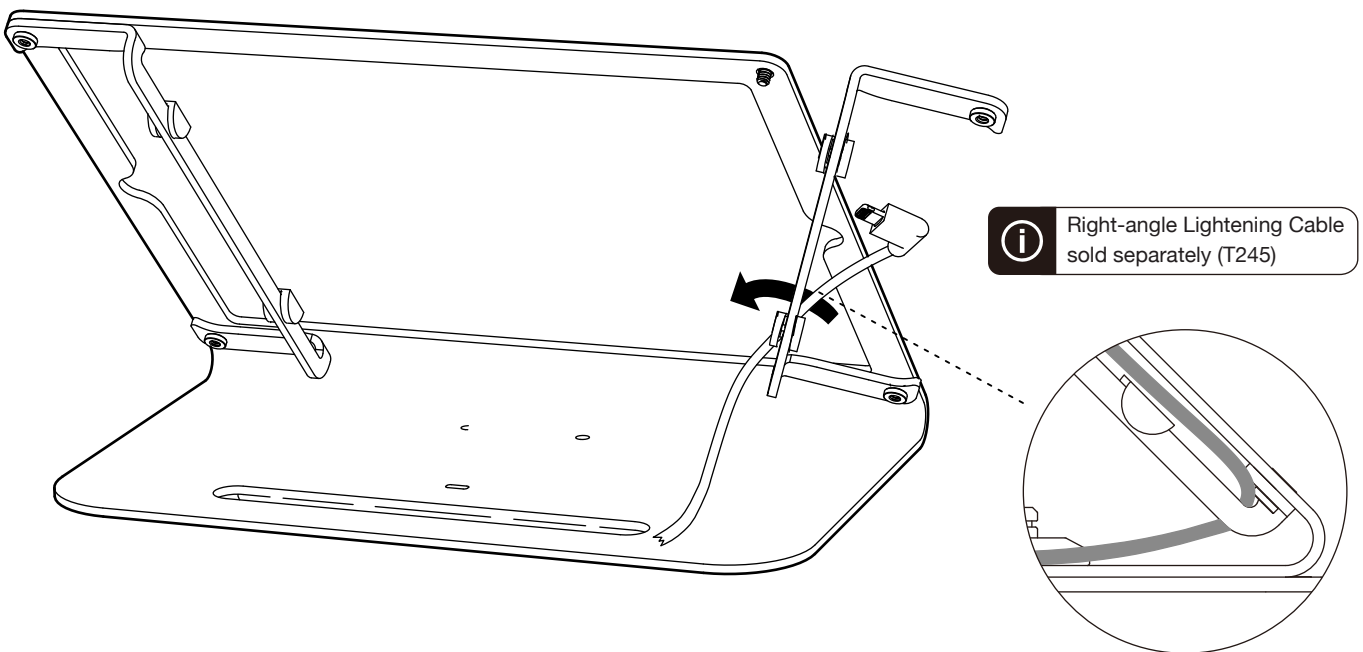


**i** Loosen, but  
do not remove.

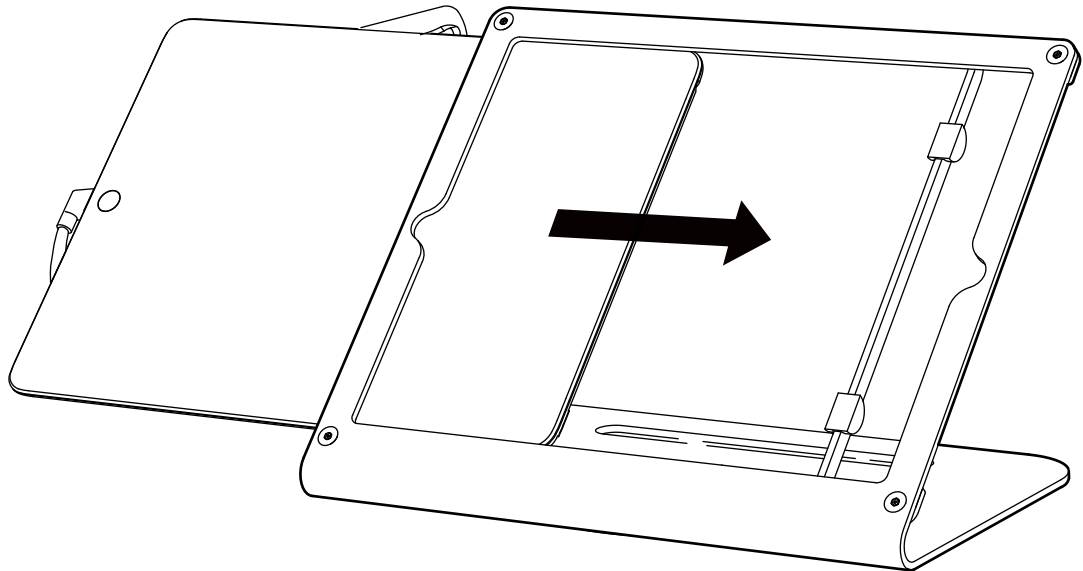
## 4 Swing bracket out



## 5 Route Lightning cable



## 6 Slide in the iPad



## 7 Tighten screws

